



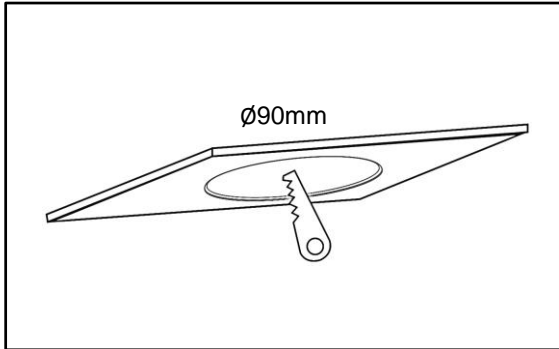
ARCHY 8W CCT DOWNLIGHT - DIMMABLE

21933/05 – White

21933/05 - Black

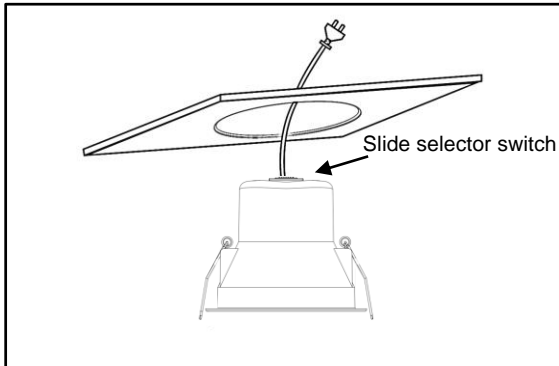
Before first using your new Downlight, it is most important that you read and follow these instructions, even if you feel you are quite familiar with this type of product. Keep this document for future reference.

FITTING MUST BE INSTALLED BY A QUALIFIED ELECTRICAL CONTRACTOR



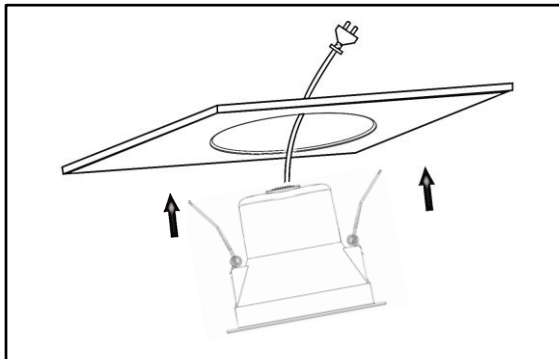
Warning:

- Installation, repair and/or inspection must be conducted by qualified personnel in accordance with Australian Standards and local Building codes.
- Care must be taken to ensure electrical wiring and other hidden utilities are not damaged when ceiling is cut.
- Do not install in a position where the unit will be accessible to children or infirm persons.
- Do not perform modification to the unit.
- If the supply cord is damaged it should be replaced by the manufacturer or qualified person to avoid a hazard.
- Failure to follow these instructions may void the warranty.



Installation:

- Disconnect power.
- Cut a hole in ceiling Ø90mm.
- Insert plug and cord into the ceiling and connect the 2-Pin mains plug to a suitable power socket.
- Using Slide Selector Switch, choose desired CCT Temperature. (See CCT selection below)
- Lift the spring clips up and insert light into ceiling.
- Refer page 2 “INSULATION RATING IC-4/IC-F” for building element and insulation clearance requirements.
- Restore power.

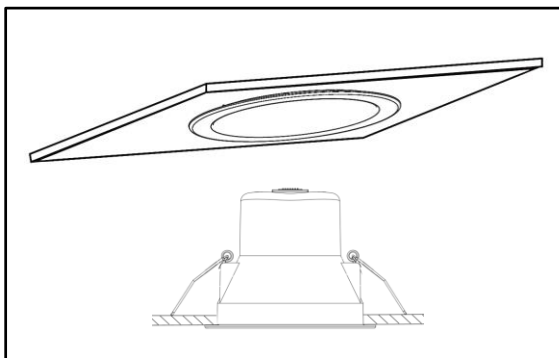


Specifications:

- **Protection** : Class II
- **Ratings**: 220V-240VAC, 50Hz, 8W
- **Cut-out size**: Ø90mm
- **Beam Angle**: 60°
- **Light Source**: LED (Non replaceable)

CCT Temperature selection:

This product has three choices of colour temperature (CCT). Slide Selector Switch to desired CCT of your choice.



- **21933/05 -White**
 - Warm White; 680lm, 3000K; CRI:>80
 - Cool White; 750lm, 4000K; CRI:>80
 - Natural White; 700lm, 5700K; CRI:>80
- **21933/06 - Black**
 - Warm White; 600lm, 3000K; CRI:>80
 - Cool White; 700lm, 4000K; CRI:>80
 - Natural White; 650lm, 5700K; CRI:>80



ARCHY 8W CCT DOWNLIGHT - DIMMABLE

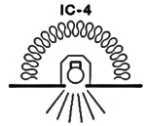
21933/05 – White

21933/05 - Black

INSULATION RATING IC-F IC-4:

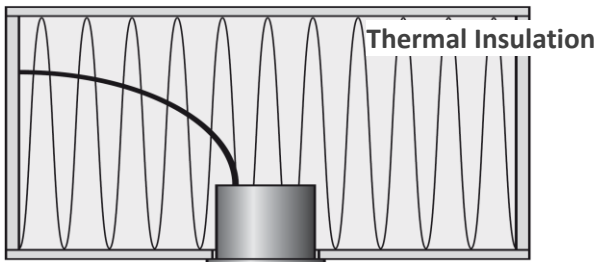
This Downlight has achieved an IC-F IC-4 insulation rating in accordance with AS/NZS 60598.2.2.

AN IC-F IC-4 RECESSED LUMINAIRE CAN BE ABUTTED AGAINST OR COVERED WITH NORMALLY FLAMMABLE MATERIALS INCLUDING BUILDING INSULATION



WARNING - RISK OF OVERHEATING OR FIRE IF CLEARANCE DISTANCES ARE COMPROMISED.

BUILDING ELEMENT ABOVE FITTING



Dimension	Clearance
SC – Side clearance to thermal insulation and building element	0mm
HC – Height clearance to thermal insulation and building element	0mm

CONSIDERATION:

Full insulation coverage of the Downlight will increase lumen depreciation resulting in a shorter life span than an open air installation.

Recommended Dimmers:

Brilliant	18828
	18829
Brilliant Smart Range *	
Dimmer Mech	20967
BT MESH Mech	21666
Master and Slave Mech	21521/21530
Clipsal	31E4RUD
	32ELEDM
	32E450TM
	312PUDM
	32E450UDM
	4062E450UDM
HPM	400A2P-14W17
	250T-11W40

* For Best performance dimming percentage level may need to be increased.



ARCHY 8W CCT DOWNLIGHT - DIMMABLE

21933/05 – White

21933/05 - Black

Warranty:

Brilliant Lighting warrants this product against defects in manufacture and workmanship for a period of 3 years from date of purchase or as specified on the packaging. This warranty is only valid for products installed by a qualified electrical contractor and operated within the guidelines specified by Brilliant Lighting, and within the correct operating voltage ranges as stated on the product's rating label.

Warranty does not include damage or loss arising from incorrect installation, operation or maintenance of this product, damage caused through modification, incorrect installation, service by unqualified or unauthorised personnel or lack of regular maintenance and cleaning. Proof of installation by qualified personnel may be required, eg. Electrical Safety Certificate. Proof of purchase must be supplied with all warranty claims.

This warranty is provided in addition to any other rights and remedies of the customer under any law. In applications not intended for household, personal or domestic use, liability is limited to replacement or reimbursement of product only. Brilliant Lighting does not warranty the costs of removal or re-installation of this product or associated components.

Our goods come with guarantees that cannot be excluded under the Australian Consumer Law. You are entitled to a replacement or refund for a major failure and compensation for any other reasonably foreseeable loss or damage. You are also entitled to have the goods repaired or replaced if goods fail to be of acceptable quality and the failure does not amount to a major failure.

Any claim under this warranty must be made within 3 years of the date of purchase of the product or as specified on the packaging. To make a claim under the warranty; at your own expense take the product (with proof of purchase – receipt or similar) to the store where you purchased the product or contact Brilliant Lighting at the address below.

This warranty is given by:

Brilliant Lighting (Aust) Pty. Ltd.

ABN 37 006 203 694

956 Stud Road Rowville, VIC 3178

Phone: 03 9765 2555

Email: warranty@brilliantlighting.com.au

Made in China