



Otto II 1Lt LED Security Floodlight with Sensor

MXD6711BLK-SEN

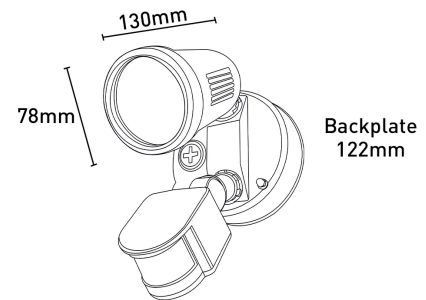
Key Features:

- COB LED floodlight
- High Lumens output security flood light with adjustable heads and PIR motion sensor
- CCT switch inside back plate
- PIR sensor with override function and 10 seconds to 6 minutes adjustable time delay
- Ideal security light for under eaves, walls, and other similar locations

Colour Temperature	3000K/4000K/5000K
Cri	>80
Dimmable	No
Globe Included	Yes
Globe Type	LED
Ip Rating	IP65
Lumens	950lm/1050lm/1000lm
Wattage	12W



Dimensions



Colours



Model No. : MXD6711WHT-SEN
Colour : White



Model No. : MXD6711SIL-SEN
Colour : Silver



Model No. : MXD6711BLK-SEN
Colour : Black

