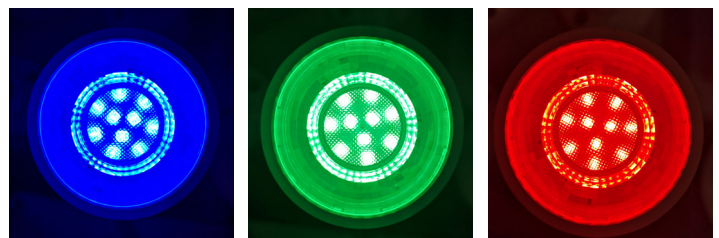


## GU10 LED COLOURED GLOBES



### Product Features:

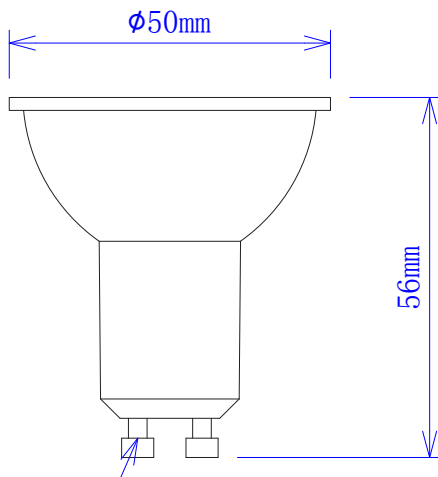
- Input voltage: 220-240V AC
- Inbuilt constant current LED driver
- Housing: plastic
- Wattage: 5W (=30W incandescent)
- Power factor: 0.5
- 10pcs SMD2835 LED chips
- Ambient temperature: -10 to 40°C
- Suitable for 2-way switching
- Suitable for use with PIR sensor



GU10B01A

GU10G01A

GU10R01A



Part No.	Description	Kelvin (K)	Lumens (LM)	Watt (W)	CRI	Weight (kg)	Box (cm)	Carton QTY
GU10B01A	GLOBE LED AC GU10 5W BLUE	BLUE	50	5=30	N/A	0.05	6x5x5	1/200
GU10G01A	GLOBE LED AC GU10 5W GREEN	GREEN	50	5=30	N/A	0.05	6x5x5	1/200
GU10R01A	GLOBE LED AC GU10 5W RED	RED	50	5=30	N/A	0.05	6x5x5	1/200