

ZONE

4 WIRE 3 CIRCUIT LED TRI-CCT DIMMABLE TRACK HEAD & ACCESSORIES

These modular LED track heads with their quick assembly and tool-free replacement design, reduces cost and time. A multitude of available optical accessories like lenses and reflectors offer customization to suit various lighting needs.

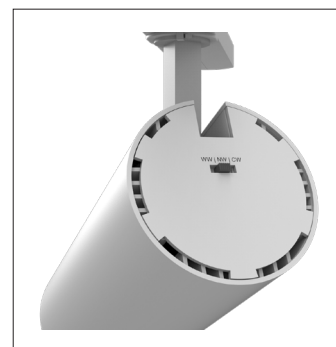
- Input voltage: 220-240V
- Faceplate & housing: powder coated aluminium
- Diffuser: glass
- Heatsink: aluminium
- Tri-CCT: 2700K/ 4000K/ 6000K in one fitting
- LED chip: 1pc COB LED
- Rear switch
- Power factor: 0.92
- CRI: ≥90
- Tilt: 90° / Swivel: 355°
- Ambient temperature: -20 to 40°C
- Suitable for dimming
- Suitable for 2-way switching



ZONE1BK
(INCLUDES ZONERING1BK & ZONEREF1)



ZONE1WH
(INCLUDES ZONERINGWH & ZONEREF1)



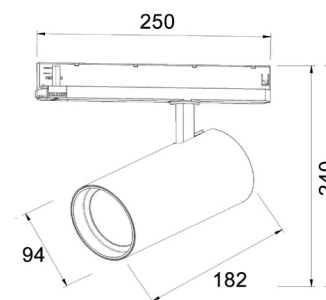
REAR CCT SWITCH

Tested & Recommended Dimmers:

Brand	Part No.
CLA	VELA
CLIPSAL	32ELEDM, 32E450TM, 31E2RUDM, 32E450UDM
DIGINET	MEDM
SCHNEIDER	SBD200LED, SBDB15RC

*Please check with Licenced electrician for Min and Max dimmer load

*May be compatible with other untested dimmers




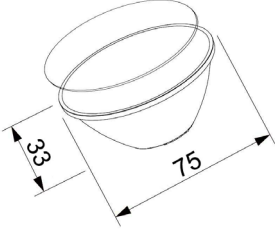
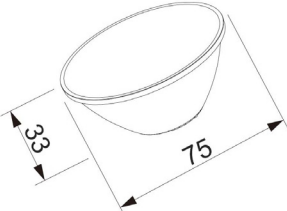
Part No.	Description	Lumens			Watt	CRI	Box Weight	Box Dimensions	Carton QTY
		2700K	4000K	6000K					
ZONE1BK	TRACK 4 WIRE 3 Circuit LED HEAD BLK	2310lm	2580lm	2460lm	30W	≥90	1.10kg	27x21x13cm	1/8
ZONE1WH	TRACK 4 WIRE 3 Circuit LED HEAD WH	2610lm	2860lm	2770lm	30W	≥90	1.10kg	27x21x13cm	1/8

TRACK HEAD ACCESSORIES

1. Track Head Rings

<p>INCLUDED</p>  <p>ZONERING1BK (Standard)</p>	<p>INCLUDED</p>  <p>ZONERING1WH (Standard)</p>	<p>Standard Ring Set Included in ZONE1BK or ZONE1WH Ø95mm</p>	
 <p>ZONERING2BK (Optional)</p>	 <p>ZONERING2WH (Optional)</p>	<p>Optional Ring Set Ø95mm Sold separately</p>	

2. Track Head Reflector

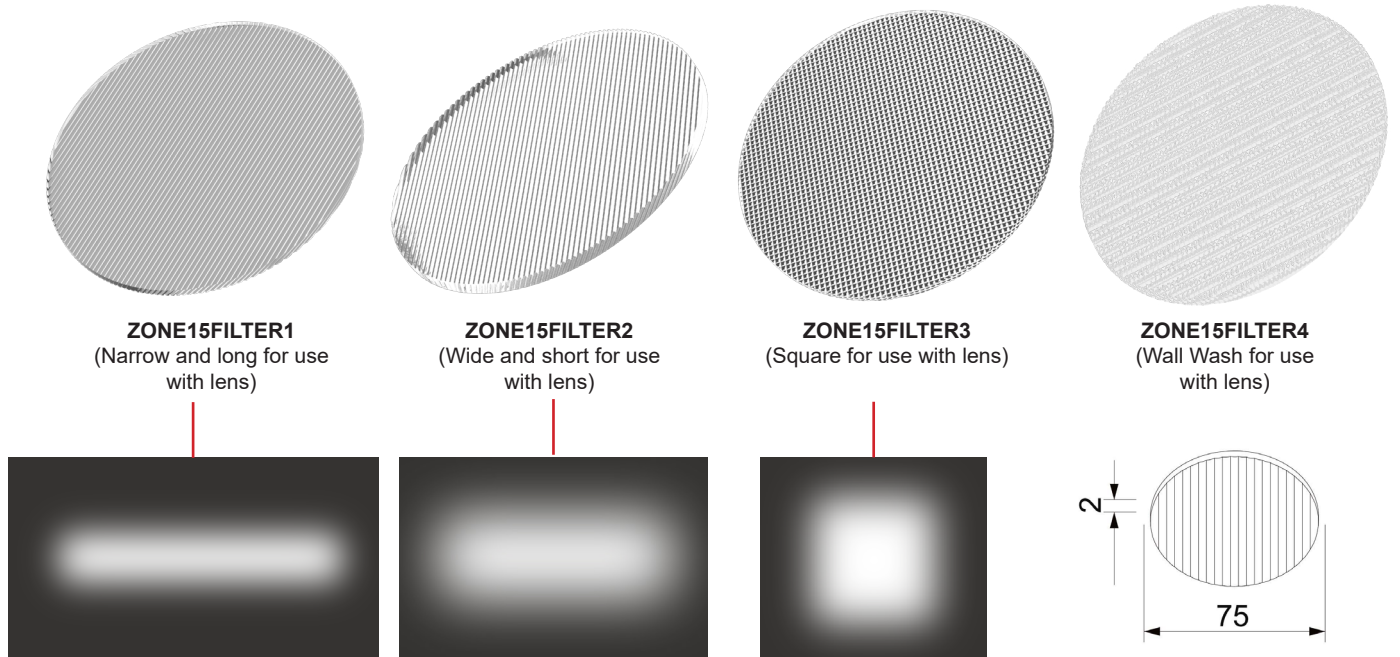
<p>INCLUDED</p>  <p>ZONEREF1 (Standard)</p>	<p>Standard Reflector Included in ZONE1BK or ZONE1WH Aluminium with clear glass diffuser Ø75mm</p>	
		

3. Track Head Lens (15° & 36°)

 <p>ZONE36LENS1 (Standard) 36D Ø75mm</p>	 <p>ZONE15LENS1 (Standard) 15D Ø75mm</p>	 <p>ZONE36LENS2 (Optional) Highlight Soft 36D Ø75mm</p>	 <p>ZONE36LENS3 (Optional) Gradual Change Soft 36D Ø75mm</p>
--	--	--	--

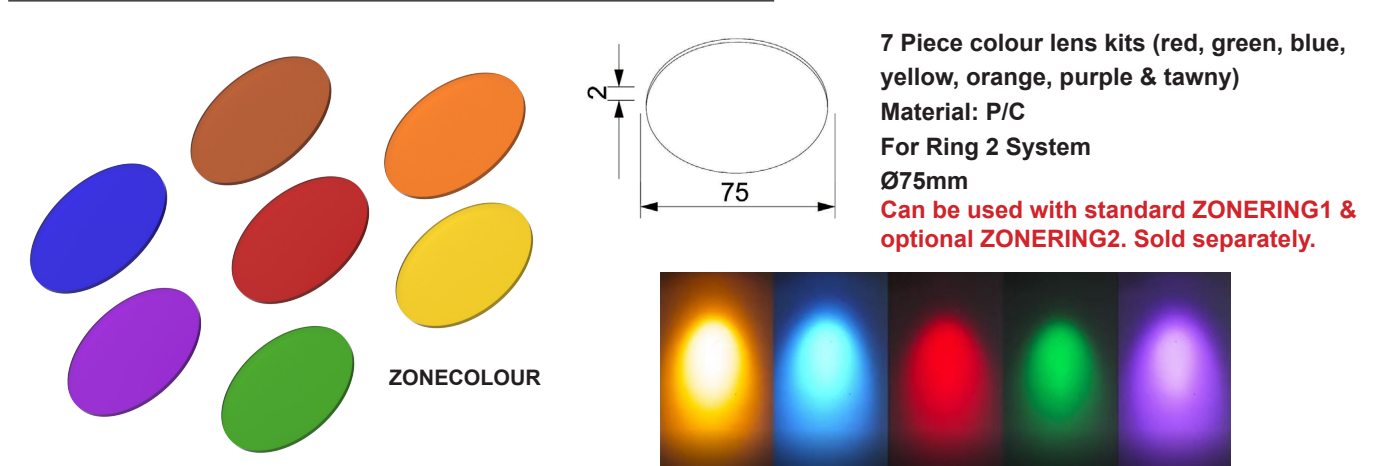
Can be used with standard ZONERING1 & optional ZONERING2. Sold Separately.

4. Track Head Beam Shaping Filters (Ø75mm)

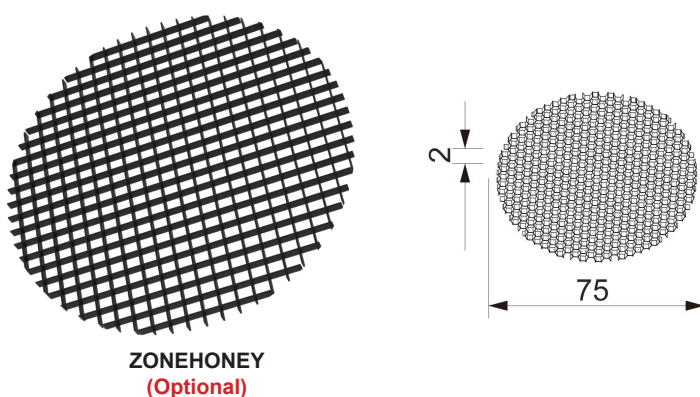


Use the additional accessory to change the light shape. **Can be used with standard ZONERING1 & optional ZONERING2. Sold separately.**

5. Track Head Lens Colour Kits

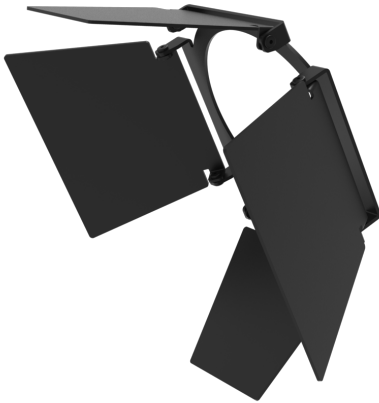


6. Track Head Honeycomb Filter (Anti Glare Mesh Ø75mm)

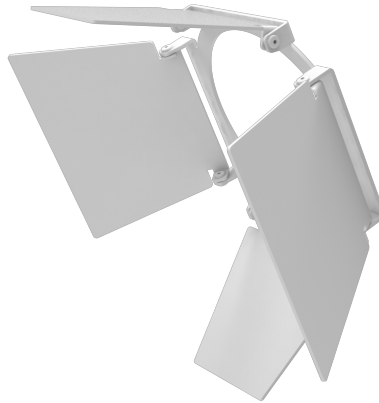


Can be used with standard ZONERING1 & optional ZONERING2. Sold separately.

7. Track Head Barns

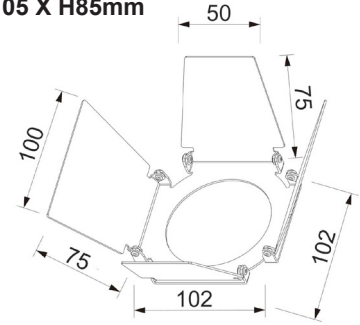


ZONEBARNBK
(Optional)



ZONEBARNWH
(Optional)

Barn door
L105 X W105 X H85mm

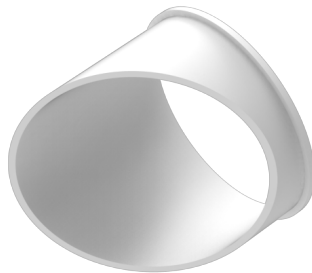


Used with optional ZONERING2 only. Sold separately.

8. Track Head Shades

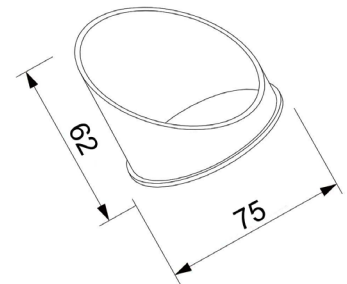


ZONESHADE1BK
(Optional)



ZONESHADE1WH
(Optional)

Shade (Wide Spread)
Ø75mm

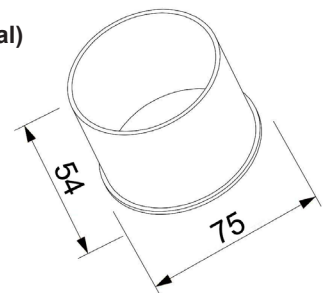


ZONESHADE2BK
(Optional)



ZONESHADE2WH
(Optional)

Shade (Partial)
Ø75mm



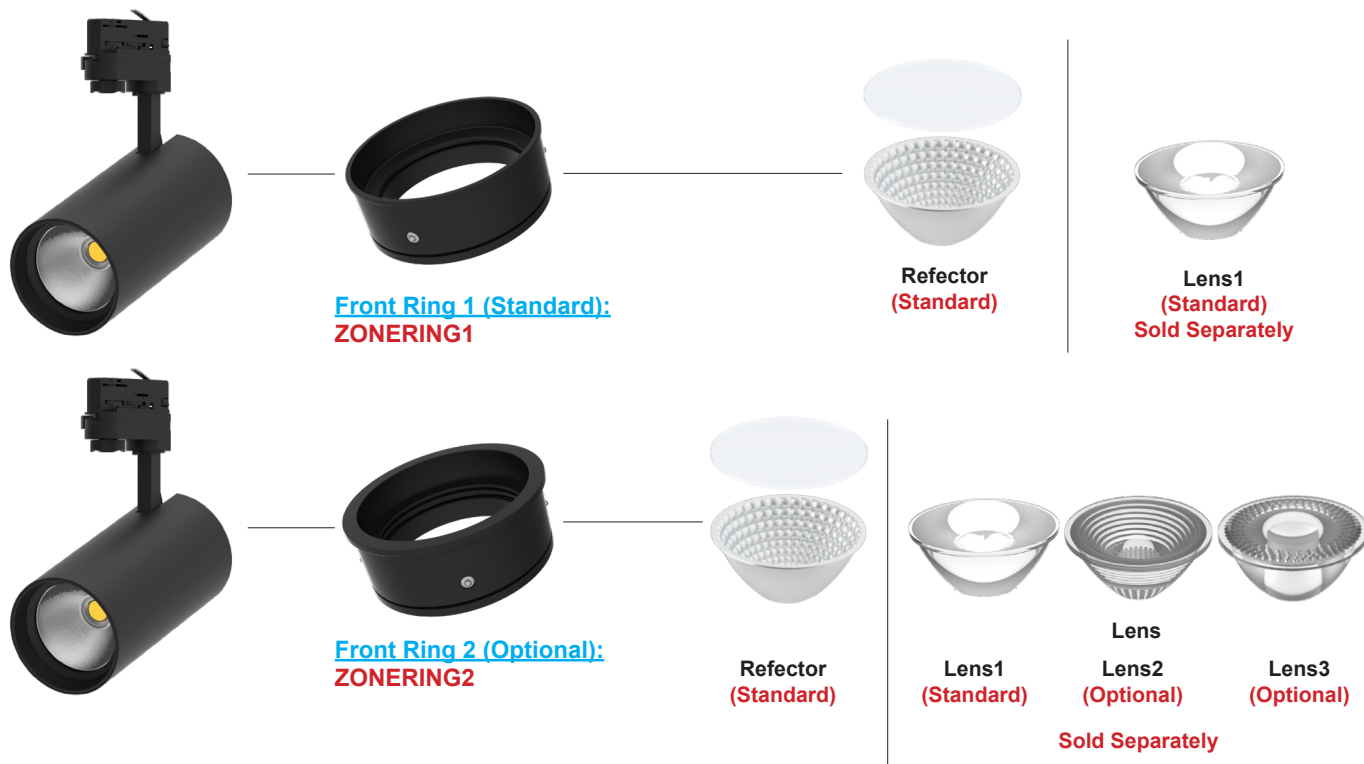
Used with optional ZONERING2 only. Sold separately.

TRACK HEAD COMBINATION

(Shown with ZONERING2)



FRONT RINGS



For more information, please visit the link below to watch the instruction video:
<https://youtu.be/GZi3S-9qEkk>