

INSTALLATION INSTRUCTION-CEILING FAN WITH REMOTE (BALL MOUNTING SYSTEM)

NOTICE: To ensure the success of this installation, be sure to read the instruction and review the diagram thoroughly before beginning.

Installation should be performed only by a licensed electrician.

GENERAL

After opening the box, you should find the following parts.

- One fan motor
- One 152mm downrod
- One regulator
- One set of blades
- One ceiling canopy
- One light kit (optional)
- Remote control transmitter
- Remote control receiver (Already installed)

SAFETY PRECAUTIONS

1. Installation should only be performed by a licensed electrician.
2. Be sure electricity is switched off at the main switch before wiring.
3. All wiring must be in accordance with national and local electrical codes and this fan must be earthed against possible electric shock.
4. When fan is fitted, the blades must be a minimum of 2.1m above the floor.
5. Do not allow hands or other objects to contact rotating blades.
6. Closed supervision is required when the product is used by or near children or infirm persons. Do not allow children to use as toy.
7. Do not install in damp locations or immerse in water. (For indoor use only)

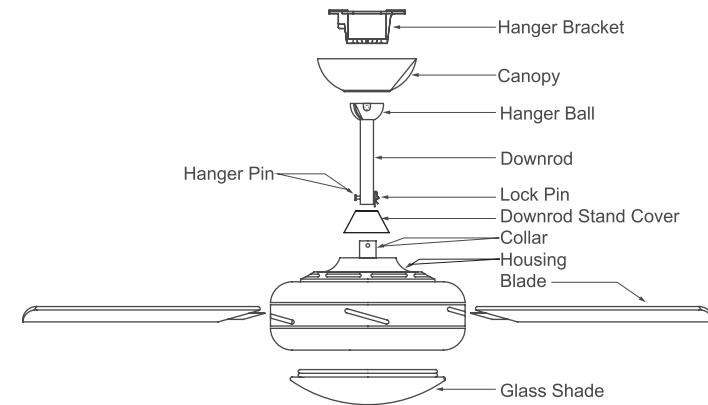
INSTALLATION INSTRUCTIONS

1. Before beginning, disconnect power by removing fuse or turning off circuit breaker.
2. It is essential that the outlet box or structural member from which the fan is to be mounted will safely support the fan in view of the torque and weight factors involved.
3. Remove 2x screws and lock washer from upper canopy and loosen 2x screws fitted to slotted holes. Twist the upper canopy and remove the hanger bracket. (For some models: the canopy and hanger bracket are unlocked together.)
4. Loosen screw and remove earth wire from hanger bracket. (For some models: the canopy and hanger bracket are unlocked together.)
5. Fix hanger bracket to ceiling using 2X50mm wood screws.
6. Using the hook on the ceiling bracket, hang the ceiling fan through one of the holes in the upper canopy. Reconnect the earth wire to the ceiling bracket.
7. Make the wiring connection as shown in Fig.2. Ensure that the DIP switches on the receiver and transmitter are set to the same positions.

NOTE: The receiver is already installed in the unit and Fig.2. is only for own reference.

8. Unhook the upper canopy from the ceiling bracket and supporting the fan, turn the upper canopy until the tab locates in the ball groove. Fit the upper canopy to the ceiling bracket and turn until the slotted holes lock in the canopy. Tighten screws and fit additional 2 X screws and lock washers.
9. Ensure all screws are tight before proceeding to the next step.
10. Mount the fan blades on the motor with lock washer and screw.
11. Feed wires through the lamp assembly fixing tube with a long nose pliers and screw lamp onto base of motor housing. Ensure assembly is securely tightened. Do not remove wire sleeve.
12. Fit lamp globe.
13. Fit glass shade.

Exploded View Detail



Wiring Connection

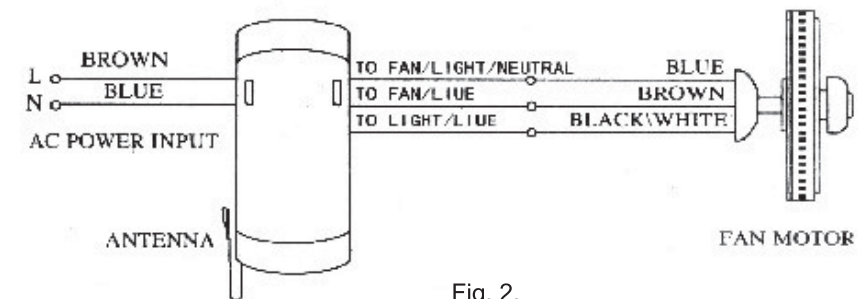
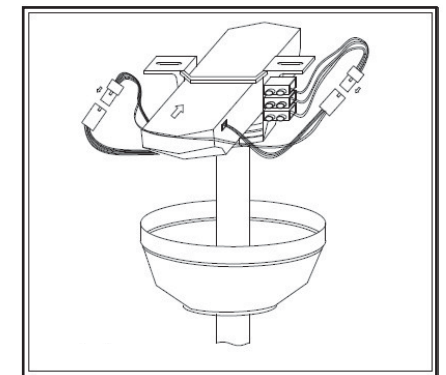
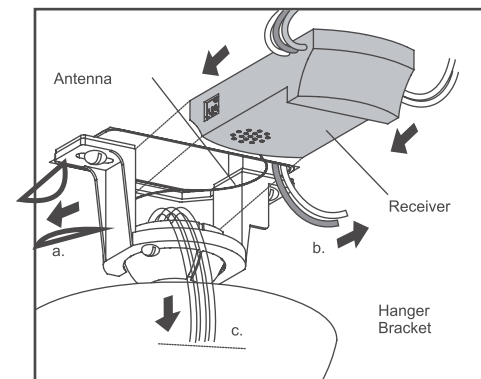


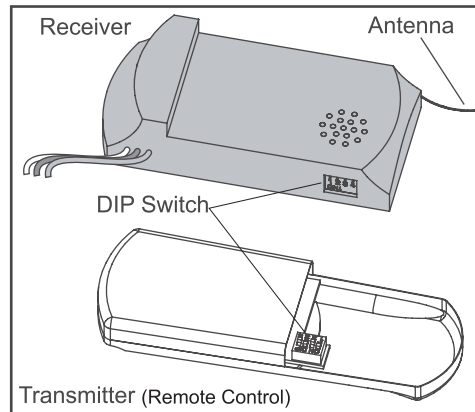
Fig. 2.



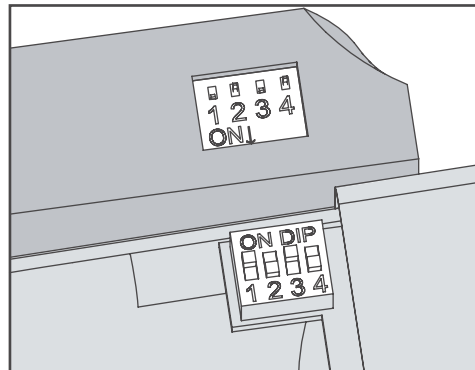
OPERATION INSTRUCTIONS

Code Switch:

1. Codes are set by pushing DIP switches up or down. It is imperative that the code used for both transmitter and receiver is exactly the same; otherwise remote controller will not work. Please note the code switch will enable you to operate a second remote controller independently. For example, if you have two ceiling fan with 2 remote control units, set 2 different codes for each set of transmitter/ receivers. This means you can operate each ceiling fan independently.
2. Your remote controls is ready for use after battery installation.
Note: When inserting the battery, ensure the polarity is correct.



There is a frequency-setter respectively in the transmitter and receiver. This "DIP Switch" is a 4 keys unit. All keys were set at "ON" position in the beginning. Set the keys to a different code. Make sure the same numbered keys are switched "ON" for both DIP switches. Take note that the "ON" position may have different orientation in each.



Code example:
1-ON 2-OFF 3-ON 4-OFF on both DIP Switch

Transmitter Operation:

FAN: To turn fan ON and change to desired fan speed by pressing either LOW, MED or HI button.

LIGHT: Press and release immediately to turn on/ off the light.