

MOON RECESSED

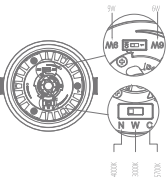
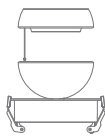


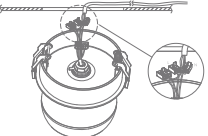
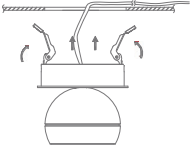
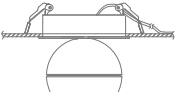
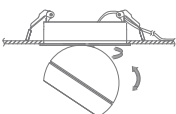
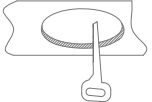
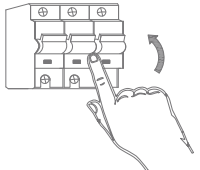
Variants		Item No.	Colour Temp
Blk	Wht		
22804	22805	MOON-REC	TRIO
22806	22807		
22808	22809		
22810	22811		

Thank you for purchasing your new MOON-REC Light, Please take the time to read and understand the instruction sheet below. Failure to do so may void warranty.

Specifications

Voltage:	240V	CCT:	3000K - 4000K - 5700K (Switchable)	Dimmable:	Yes	Lifespan:	50,000hrs
Power:	6/9W	IP Rating:	20	CRI:	>90		

Please refer to the data sheet for lumen output.

Optional Optics:			
01 Flood	02 Spot	03 Opal	04 Tube
<p>1 Select suitable CCT / Power you need.</p> 	<p>2 Select the optics, then lock the safety wire.</p> 	<p>3 Rotate the optics on the LED engine in clockwise direction, make sure it was locked until you hear "click".</p> 	<p>4 Turn off the power.</p> 
<p>6 Connect the L/N wire.</p> 	<p>7 Lift up the spring then put it in the hole.</p> 	<p>8 Release the spring.</p> 	<p>9 Adjust the angle.</p> 
			<p>5 Open a cutout hole on the ceiling.</p> 
			<p>10 Turn on the power.</p> 

Note: -The lamp must be installed by professional electrician
-Ensure the power supply is switched off before fitting this product

-Do not touch the lamp when in use
-Keep away from hot steam and corrosive gas