

Muro-Max Series

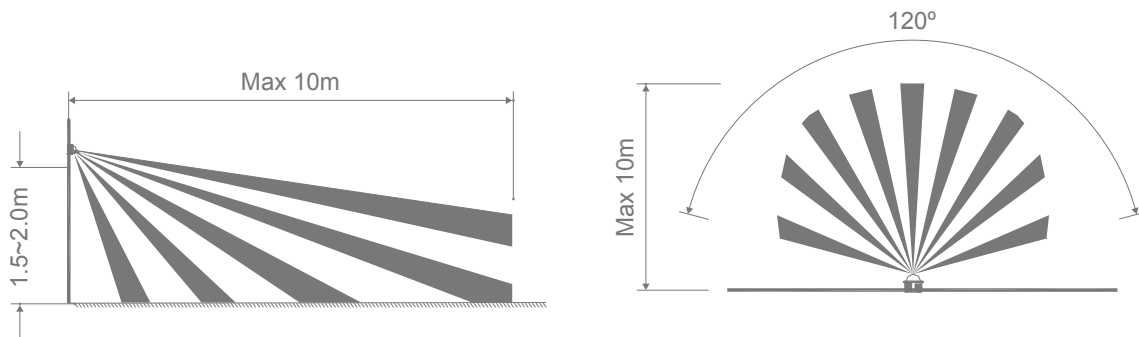
Specifications

Voltage:	240V	Lumen (±5%):	16W 1700lm	32W 3500lm	Dimmable:	No
		3000K	1800lm	3600lm		
		4000K	1600lm	3300lm		
		5000K				
Power:	16W/32W	Beam Angle:	100°		Operating Temp:	-20~+40° C
IP Rating:	IP65*	CCT:	3000K - 4000K -5000K		Power Frequency::	60Hz
CRI:	≥90	Lifespan:	30,000hrs		Power Consumption:	0.5W Aprox
Detection Range:	120°	Detection Distance:	2-10m (Adjustable)		Detection Moving Speed:	0.6-1.5m/s
Rated Load:	Max 300W					

* Sensor cover must shield Lux & time settings to retain IP65 rating

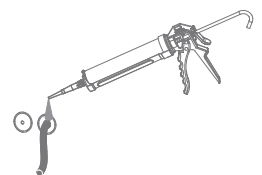
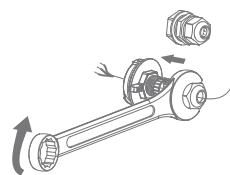
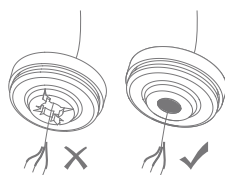
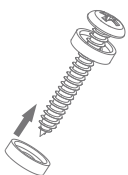
As the sensor responds to changes in temperature and movement please avoid the following:

- Pointing the sensor towards objects with highly reflective surfaces
- Mounting the sensor near heat sources, such as heating vents, air conditioning units
- Pointing the sensor towards objects that may move in the wind



Waterproof Installation Tips:

- Fasten the waterproof gasket into the mounting screws
- Feed the cable through the waterproof grommet
- Feed the cable through the cable gland and tighten
- Use water resistant silicone to seal and visible holes



Note: -The lamp must be installed by professional electrician
-Ensure the power supply is switched off before fitting this product

-Do not touch the lamp when in use
-Keep away from hot steam and corrosive gas

Installation Manual

1 **2** **3**

Standard	Sensor
L= Switched N=Neutral ⊕=Earth	L=Switched L-out=ON/OFF controlled by sensor N=Neutral ⊕=Earth

3 Wire diameter: 0.5-2.5mm² Wire stripping length: 8-10mm

select preferred colour temperature for product in CCT change function only

4 **5** COMPLETE

Adjust hold time and lux

Adjust hold time	Adjust lux
5 ± 3 sec 12 ± 2 min	Daytime Night

6

Note: -The lamp must be installed by professional electrician
 -Ensure the power supply is switched off before fitting this product

-Do not touch the lamp when in use
 -Keep away from hot steam and corrosive gas

Function

- 1. Time Adjustable:** The time adjustment controls how the light will stay after the motion has been detected. Turn the time control knob clockwise to increase (up to about 12 minutes) how long the lights stay on or anti-clockwise to decrease (down to about 5 seconds) the time delay.
- 2. Lux adjustment:** The Lux adjustment controls sensor mode under different setting. Turn the Lux control knob clockwise to (☀), it is daytime mode, the lamp can induct properly at both daytime and night. Turn the Lux control knob anti-clockwise to (☾), it is night mode, the lamp can induct properly only at night. Please adjust the control knob according to the picture 1, if rotate to hard with 360 degree, the knob will be broken or cannot be adjusted normally.
- 3. Manual mode:** When there has no need for induction setting, start manual mode, the lamp will operate without induction function for a long time, once there has induction demand, the lamp should be operated by hand and start automatic mode.

3.1 Manual Mode functions:

- a.** Only the lamp can operate be operated properly can manual mode be started
- b.** Enter into manual mode; turn Off the lamp twice (OFF-ON-OFF-ON) with in 0.5s~2S when the lamp operate properly, the the lamp will eprate without induction function for 5 hours, after the lamp will chnage into induction mode automatically in 1~2 minutes, then it means failed enter, need to try again.
- c.** Exit manual mode; turn off lamp twice (OFF-ON-OFF-ON) within 0.5S~2S when the lamp operate properly, then the lamp will be operated with induction function.

