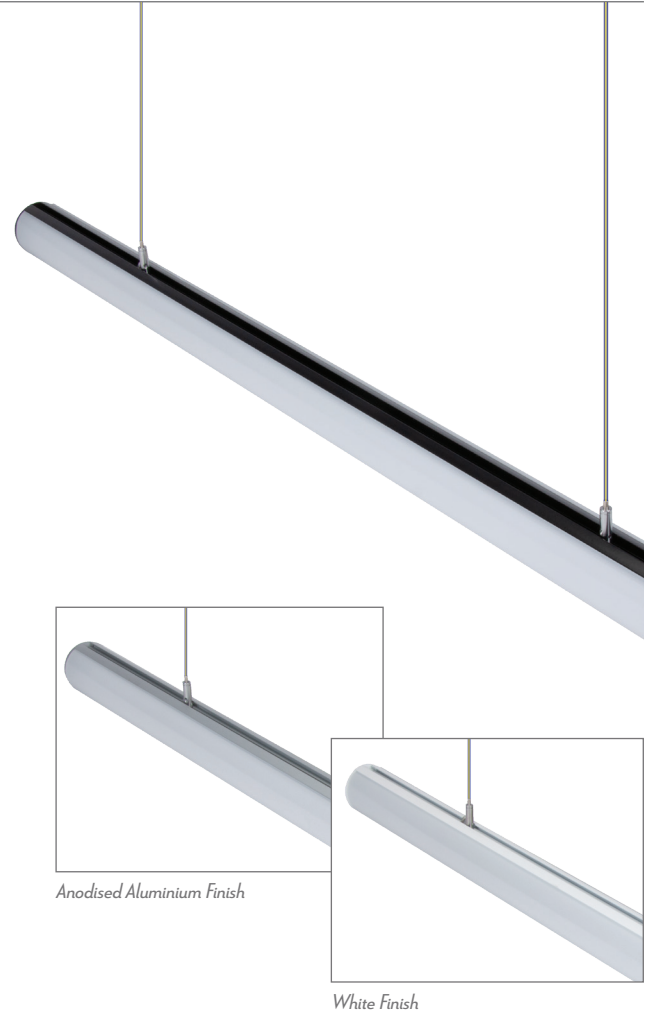


Pipe-60 1.2M LED Linear Pendant



Description

The PIPE-60 is the latest in our Linear LED Pendant range. Incorporating a full wrap around opal diffuser and available in anodized aluminium, powder coated black or powder coated white in two lengths as standard: 1.2M and 1.7M (custom lengths available upon request). Proudly assembled and powder coated in Australia, the profile includes remote mount Driver and Plex-19.2 strip. The PIPE-60 pendants can be used in many applications ranging from commercial projects through to retail area spacing and residential living areas.

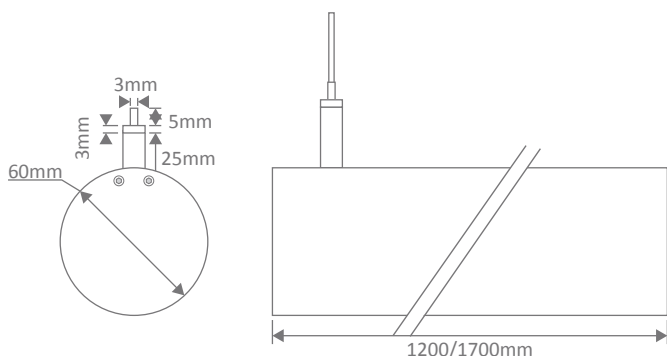


Specification Features

- Input Voltage: 240V
- Power (W): 21
- IP rating (IP): 20
- Lumens (lm): Warm White 3000K - 1658lm
Neutral White 4000K - 1797lm
White 5000K - 1797lm
- LED type: SMD
- CCT: 3000K - 4000K - 5000K
- CRI: ≥80
- Beam angle 120°
(°):
- Dimmable: Yes
- Lifespan (hrs): 50,000hrs

*Note: This product is made to order and may have a lead time.
Note: LED Driver must be installed in the ceiling remotely (please consult your electrician before installing).*

Diagrams / Additional



Item No.	Variant	Colour
PIPE-60-1.2M-ALU	23110	3000K
	23111	4000K
	23112	5000K

Item No.	Variant	Colour
PIPE-60-1.2M-BLK	23115	3000K
	23116	4000K
	23117	5000K

Item No.	Variant	Colour
PIPE-60-1.2M-WHT	23120	3000K
	23121	4000K
	23122	5000K