

AVOCA DC Series Installation Guide

Thanks for choosing our Avoca DC Series ceiling fan.
We strongly recommend that you read this manual carefully before installation.



Models Parameters (Fan Only):-

MVDC134M	1320mm 4 Blade DC WiFi Ceiling Fan Matt Black
MVDC134W	1320mm 4 Blade DC WiFi Ceiling Fan Matt White

Part List:

Qty 1x Motor assembly	Qty 1x Instruction manual	Qty 1x Screw kit	Qty 1x Hanging Bracket
Qty 1x Remote kit	Qty 4x Blades		

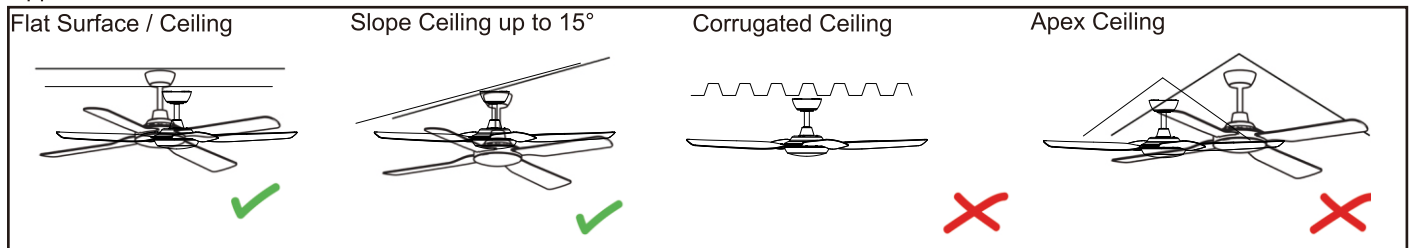
Models Parameters (Fan and LED Light):-

MVDC1343M	1320mm 4 Blade DC WiFi Ceiling Fan Matt Black with LED light
MVDC1343W	1320mm 4 Blade DC WiFi Ceiling Fan Matt White with LED light

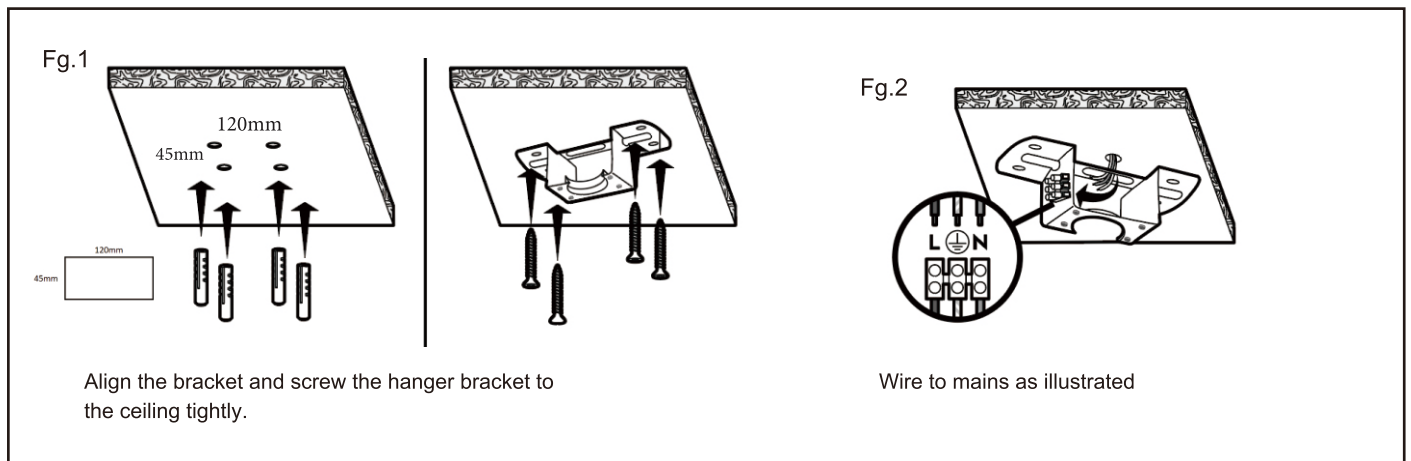
Part List:

Qty 1x Motor assembly	Qty 1x Instruction manual	Qty 1x Screw kit	Qty 1x Hanging Bracket
Qty 1x Remote kit	Qty 4x Blades	Qty 1x LED light kit	

Application



How to Assemble

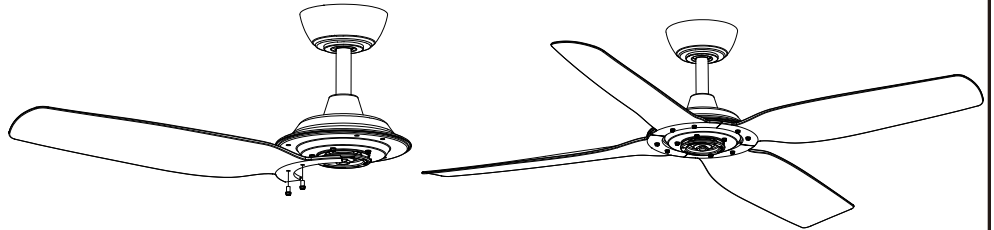


WARNING Installation MUST carry out by a qualified and licensed electrician.

How to Install Blades

Fg.3 Fan only models

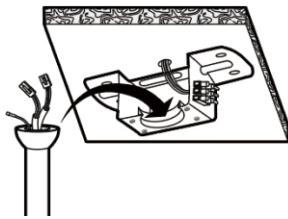
Attach the blade to the top of the motor using the 2 screws provided. Tighten the screws and repeat this procedure for all blades.



NB: Ensure the blades do not get damaged or bent during the installation process while the fan is on the ground. This will affect the performance and balance of the fan and this is NOT covered under warranty.

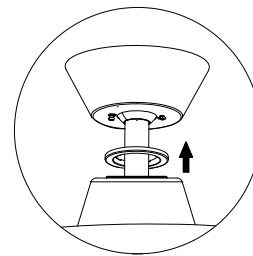
How to Install

Fg.5



Place fan into hanger bracket and align ball joint slot with hanger bracket as illustrated.

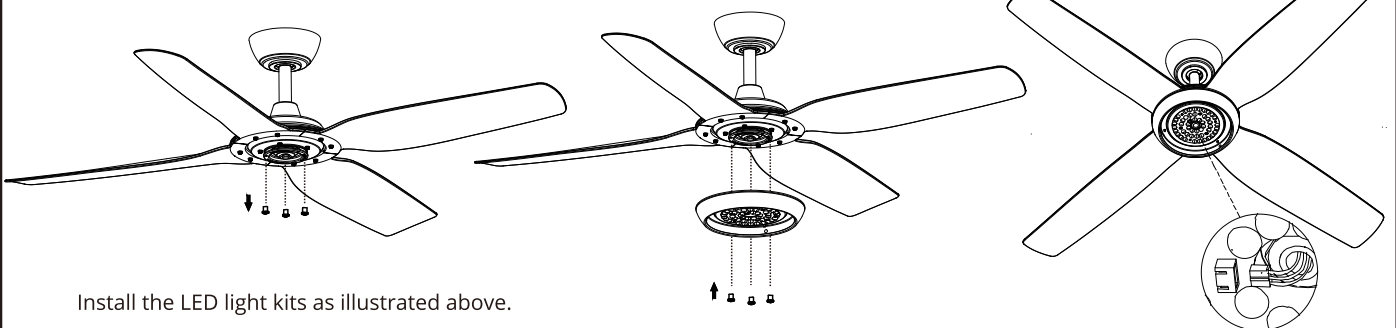
Fg.6



After wiring is completed, attach the canopy to the hanger bracket by pushing upwards and twisting anti-clockwise. Tighten screws and ensure canopy is not touching the ball joint. Move the canopy cover to the canopy that can be adsorpted by magnet.

How to Install Light Plate

Fg.7 Fan LED Light Model

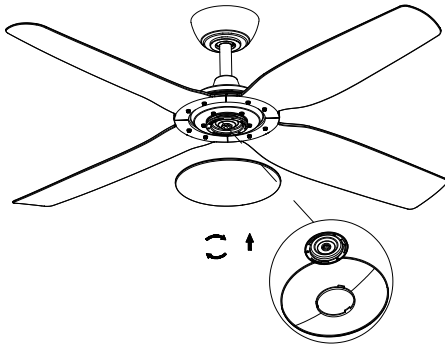


Install the LED light kits as illustrated above.

WARNING Installation MUST carry out by a qualified and licensed electrician.

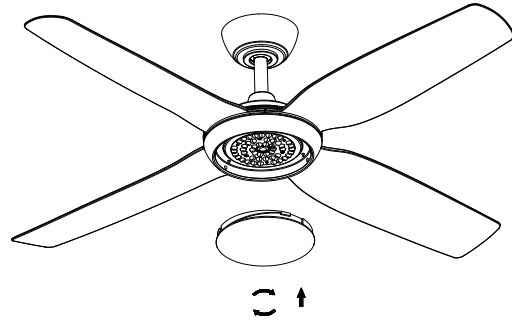
How to Install / Remove the Cover

Fig.8 Fan Only Model



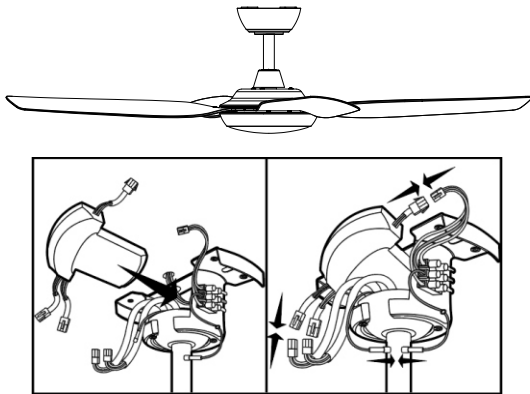
Carefully install the bottom cover onto the fan by pushing and twisting as illustrated.

Fig.9 Fan LED Light Model



Align the convex point on the light plate with the gap on the LED mounting plate and press down firmly.

Installing Receiver Remote Control



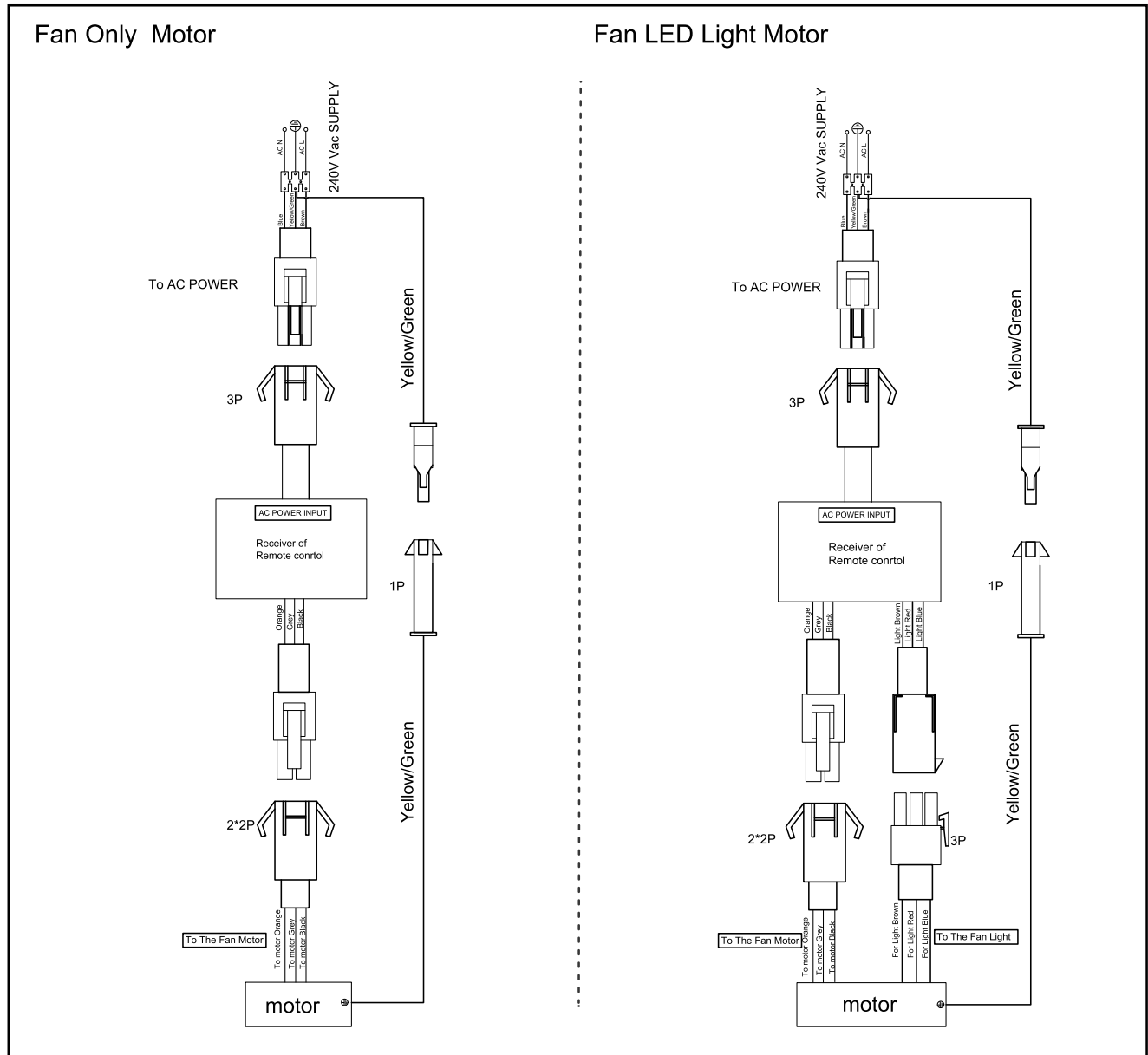
Wire up the receiver with quick connectors and insert into the mounting bracket. Make sure the antenna wire has been safely folded inside the canopy cover before final assembly. (DO NOT cut the antenna wire)

Important Reminders

- Receiver must be correctly installed in the mounting bracket
- When the transmitter cannot control the receiver, please check
 - i) has sufficient battery in the transmitter
 - ii) any existence of similar remote controlled products nearby that cause interference
- Replace battery if getting low as this will affect sensitivity of the transmitter
- Take the battery out from the transmitter when leaving used for a long time to avoid battery leaks
- Isolation switch MUST be connected in the line

WARNING Installation MUST carry out by a qualified and licensed electrician.

Wire Connections



6* Year Warranty

Visit our website for details

https://www.martecaustralia.com.au/wp-content/uploads/2023/05/Warranty-Statement_Cooling.pdf



WARNING

- Installation of fans **MUST** follow SAA standards and meet local authority regulations.
- Installation **MUST** be carried out by a qualified and licensed electrician.
- Fan and light **MUST** be earthed.
- Bracket **MUST** be firmly attached to a flat solid structure or timber frame.
- **DO NOT** mix blades from one model to another, all blades **MUST** be replaced if damaged.
- The warranty is **VOID** if product is not installed according to this installation guide.

WARNING Installation MUST carry out by a qualified and licensed electrician.

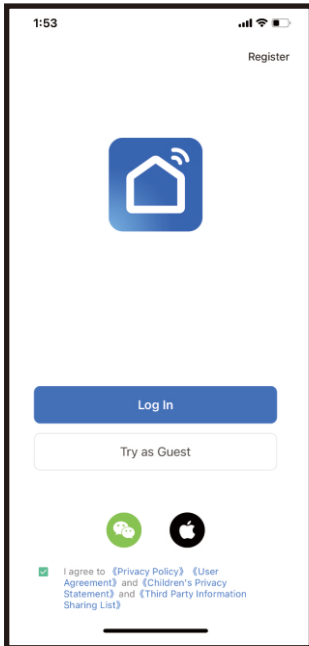
Smart Life matching process, please follow the steps:

1. Download the "Smart Life" APP on your smart devices by scanning the QR code below with camera.



2. Turn on WiFi and Bluetooth on your smart devices. Ensure it's connected to a 2.4GHZ WiFi.

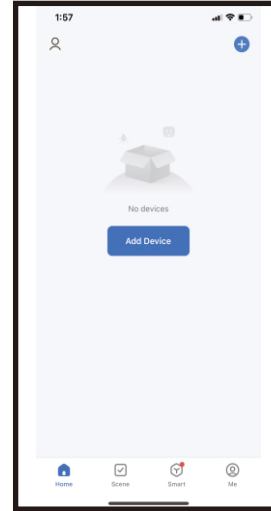
3. Open the APP, follow the steps to register new user account or login existing account.



4. Follow instructions in main manual (steps can also be found on the back of the remote) to put the fan into WiFi pairing mode. If the operation is successful, go to step 5. If the fan has previously been paired or you can't get it to work, please go to step 4 to RESET the fan.

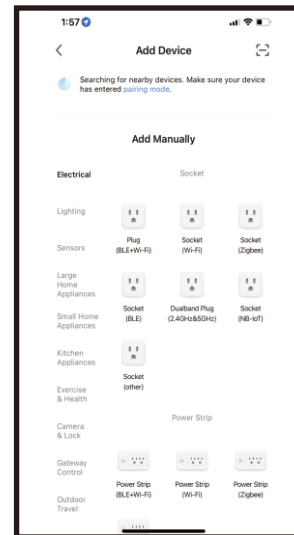
5. RESET the fan. This step is NOT necessary if the fan has successfully entered WiFi pairing mode in the last step, if not, try to RESET the fan: turn on the fan, power off after 10 seconds, power on again after 15 seconds, long press "Fan Stop" for 5 seconds, if "beep beep" are heard, the reset is successful. If "beep beep" is not heard, the reset is failed, please repeat this step.

6. Once the fan has entered WiFi pairing mode, open the APP again on the smart device. Click "Add Device" in the middle or the "+" on the top right of the screen.



7. The auto scan should begin automatically, and the fan should show up at the top of screen within a few seconds.

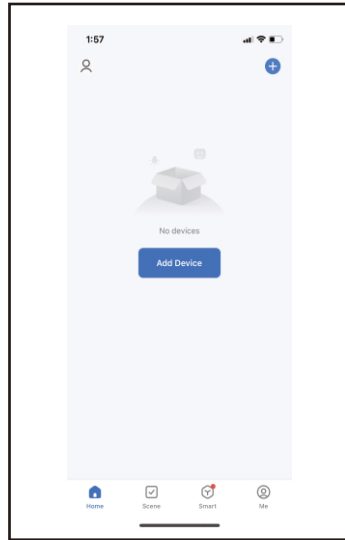
Note: If the fan is not showing up, you can add it manually by clicking and navigate to: >Add Manually >Small Home Appliance > Fan



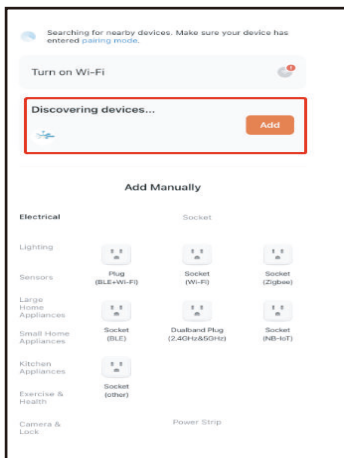
WARNING Installation MUST carry out by a qualified and licensed electrician.

8. Follow instructions in the APP to finish the set up.

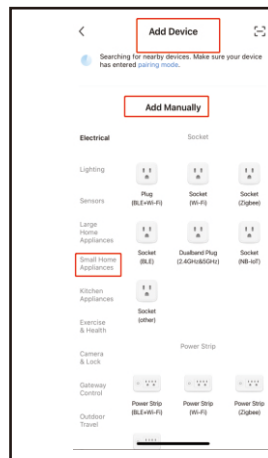
①



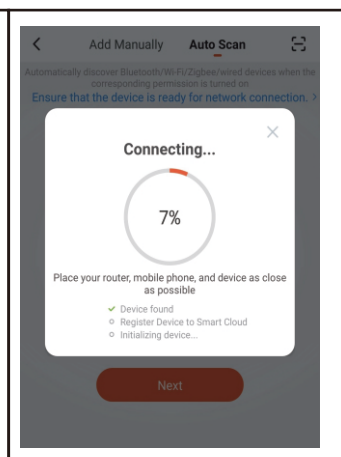
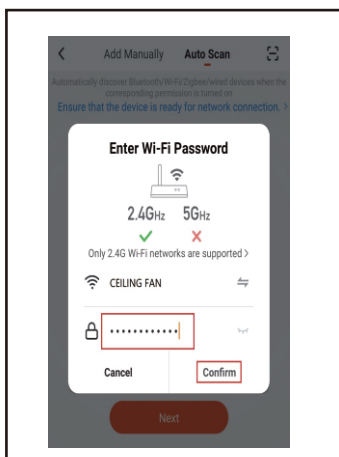
② Automatic Search



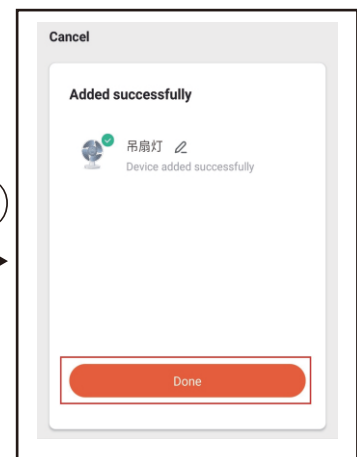
② Manually Add



③



④




WARNING Installation MUST carry out by a qualified and licensed electrician.

WiFi / Remote Control Pairing


Fan only model

Pairing the remote control


1. Turn on the ceiling fan.
2. Within the first 20 seconds, continue pressing the  button until you hear a “beep” sound. ie. It is paired.


If you don't hear a “beep” sound, repeat step 1 and step 2 again.

Entering WiFi Pairing mode:

1. Turn on the power.
2. Within the first 20 seconds, press and hold the “  ” button until a “beep” is heard.
3. Continue step connect on your smart devices to complete the pairing.

If you don't hear a “beep” sound, repeat the above steps.

FAN OFF  : to switch off the fan.


SLEEP MODE  : Turn on the fan at an extra lower speed to create a general breeze.

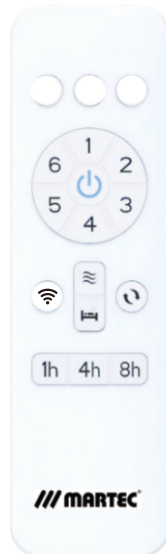
SPEED BUTTON: 1 = lowest speed. 6 = highest speed.

NATURAL WIND MODE  : designed for the elderly and children. 1-6 speed changes randomly to feel the breeze.

FORWARD AND REVERSAL  : summer/winter reverse mode.


TIMER 1H/4H/8H: preset timer for fan and light to stop automatically. ie. if timer set at 1H and then press 4H, fan will stop at 4H. Setting default to last press.

WIFI BUTTON  : Follow the instructions and press and hold for 20 seconds to enter wifi matching mode.




Fan LED Light Model

Pairing the remote control


1. Turn on the ceiling fan.
2. Within the first 20 seconds, continue pressing the  button until you hear a “beep” sound. ie. It is paired.


If you don't hear a “beep” sound, repeat step 1 and step 2 again.

Entering WiFi Pairing mode:

1. Turn on the power.
2. Within the first 20 seconds, press and hold the “  ” button until a “beep” is heard.
3. Continue step connect on your smart devices to complete the pairing.

If you don't hear a “beep” sound, repeat the above steps.

FAN OFF  : to switch off the fan.


SLEEP MODE  : Turn on the fan at an extra lower speed to create a general breeze.

SPEED BUTTON: 1 = lowest speed. 6 = highest speed.

NATURAL WIND MODE  : designed for the elderly and children. 1-6 speed changes randomly to feel the breeze.

FORWARD AND REVERSAL  : summer/winter reverse mode.

TIMER 1H/4H/8H: preset timer for fan and light to stop automatically. ie. if timer set at 1H and then press 4H, fan will stop at 4H. Setting default to last press.

LIGHT ON/OFF  : to switch off the light.

CCT : warm white (2700K) / natural white (4000K) / cool white (6500K)

LED- LED+ : minus “-” = reduces brightness
plus “+” = increases brightness



6* Year Warranty
Visit our website for details

https://www.martecaustralia.com.au/wp-content/uploads/2023/05/Warranty-Statement_Cooling.pdf



WARNING

- Installation of fans MUST follow SAA standards and meet local authority regulations.
- Installation MUST be carried out by a qualified and licensed electrician.
- Fan and light MUST be earthed.
- Bracket MUST be firmly attached to a flat solid structure or timber frame.
- DO NOT mix blades from one model to another, all blades MUST be replaced if damaged.
- The warranty is VOID if product is not installed according to this installation guide.