

75W 1220MM (48") AC CEILING FAN 4 BLADES



Model Numbers

- MPF120WH - White
- MPF3162SS - 316 Stainless Steel
- MPF3042SS - 304 Brushed Nickel
- PLKWH* - Light kit White
- PLKSS* - Light kit Stainless Steel
- PLKBN* - Light kit Brushed Nickel

Features

- Powerful and efficient 75W AC motor
- Robust designed ideal for indoor, covered outdoor, coastal and tropical applications
- Metal body and canopy with 4 metal blades
- Air movement up to 16,380m³/hr
- Blade pitch 23°
- Hangsure canopy up to 15° maximum
- Fully reversible for summer and winter mode from remote control
- Supplied with 3 speed wall controller
- Compatible with Martec® remote control MPREMS, MPLCDS and MPAPP (sold separately)
- *Optional accessory light kit sold separately



Warranty



Energy Efficient



AC Motor



Airflow Capacity
16,380m³/hr



Blade Pitch



Hangsure
Canopy



Summer/Winter
Reverse
Function



Indoor Cover
Outdoor Use



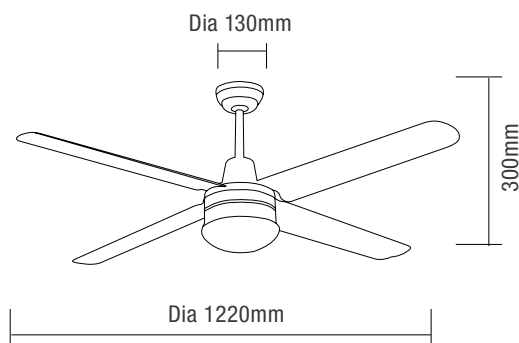
Coastal
Rated



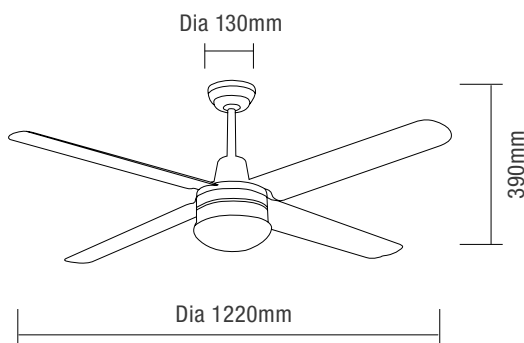
Tropical
Rated

DIMENSIONS

FAN ONLY



FAN LIGHT KIT



Aust/NZ Approval No.
SAA-151047-EA

75W 1220MM (48") AC CEILING FAN 4 BLADES

PACKAGING

SPECIFICATIONS

Model Name	Precision
Model Numbers	MPF120WH - White MPF3162SS - 316 Stainless Steel MPF3042SS - 304 Brushed Nickel PLKWH* - Light kit White PLKSS* - Light kit Stainless Steel PLKBN* - Light kit Brushed Nickel
Air Movement m³/hr	16,380m ³ /hr
Motor	AC
Power Wattage	75W
Voltage	220-240V 50Hz
Materials / Blade	Metal body and canopy with metal blades
Number of Blades	4 metal blades
Blade Pitch	23°
Hangsure Canopy	15° maximum
Control	Supplied with 3 speed wall controller

INSTALLATION

Installation	By licensed electrician only
Warranty	6* year replacement warranty

*3 year in-home + additional 3 years on the motor.
For further information regarding warranty terms and conditions, please refer to enclosed warranty statement.
Warranty is void unless installed by a licensed electrician.

SHIPPING

Packaging Size	230(H) x 260(W) x 650(L)mm (MPF120WH) 230(H) x 260(W) x 650(L)mm (MPF3162SS) 230(H) x 260(W) x 650(L)mm (MPF3042SS)
Carton Quantity	1
Gross Weight	6.5Kg (MPF120WH) 6.5Kg (MPF3162SS) 6.5Kg (MPF3042SS)

AVAILABLE COLOURS



Model	Colour	Barcode
MPF120WH	White	 9 312375 800620
MPF3162SS	316 Stainless Steel	 9 312375 800569
MPF3042SS	304 Brushed Nickel	 9 312375 800590

Model	Colour	Barcode
PLKWH*	White	 9 312375 000075
PLKSS*	Stainless Steel	 9 312375 000006
PLKBN*	Brushed Nickel	 9 312375 000013