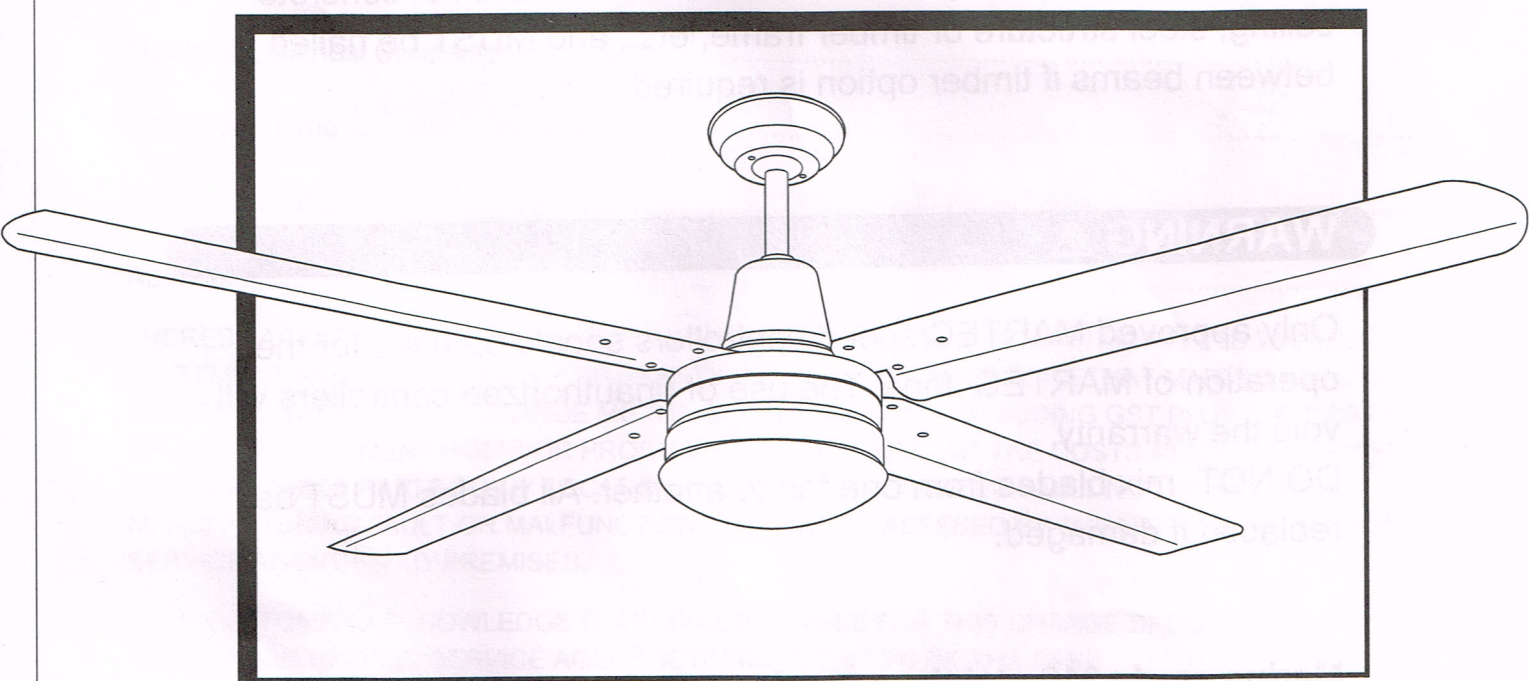




**FOR MPF SERIES**  
**(HS-316/E14 Lampholder)**

**& PLK\*\***  
**(Light Kits)**



## IMPORTANT SAFEGUARDS

READ THESE INSTRUCTIONS CAREFULLY BEFORE INSTALLING OR USING THE PRODUCT. KEEP THE INSTRUCTIONS HANDY FOR FUTURE REFERENCE.

## SAFETY

*Installation of fans must follow SAA standards and meet local Authority regulations. A fully qualified and licensed electrician lawfully MUST carry out installation.*

Means for disconnection must be incorporated in the fixed wiring in accordance with wiring rules. Fan and light MUST be earthed. Bracket MUST be firmly attached to a solid structure i.e. concrete ceiling, steel structure or timber frame, etc., and MUST be nailed between beams if timber option is required.

## WARNING ⚠

Only approved MARTEC speed controllers should be used for the operation of MARTEC fans. The use of unauthorized controllers will void the warranty.

DO NOT mix blades from one fan to another. All blades MUST be replaced if damaged.

**Marine grade 316 stainless steel requires cleaning. "TEA STAINING" is a common occurrence with 316 stainless steel and this is NOT a FAULT of the product and is " NOT COVERED UNDER WARRANTY".**



**Important:** Always operate the product from a power source of the same Voltage, Frequency and rating as on the product Identification Plate.

**Important:** The fan is to be installed so that the blades are more than 2.1 metre above the floor.

Fan blade assembly can also be done on the floor prior to installing on the ceiling. this can be done by placing fan on the foam insert provided in the fan carton.

**Important:** Be careful not to bend the blades when installing.

Avoid contacting moving parts. Keep hands, hair, clothing well away from the product while it is in operation.

This appliance is not intended for use by persons (including children) with reduced physical, sensory or mental capabilities, or lack of experience and knowledge, unless they have been given supervision or instruction concerning use of the appliance by a person responsible for their safety.

Young children should be supervised to ensure that they do not play with the appliance.

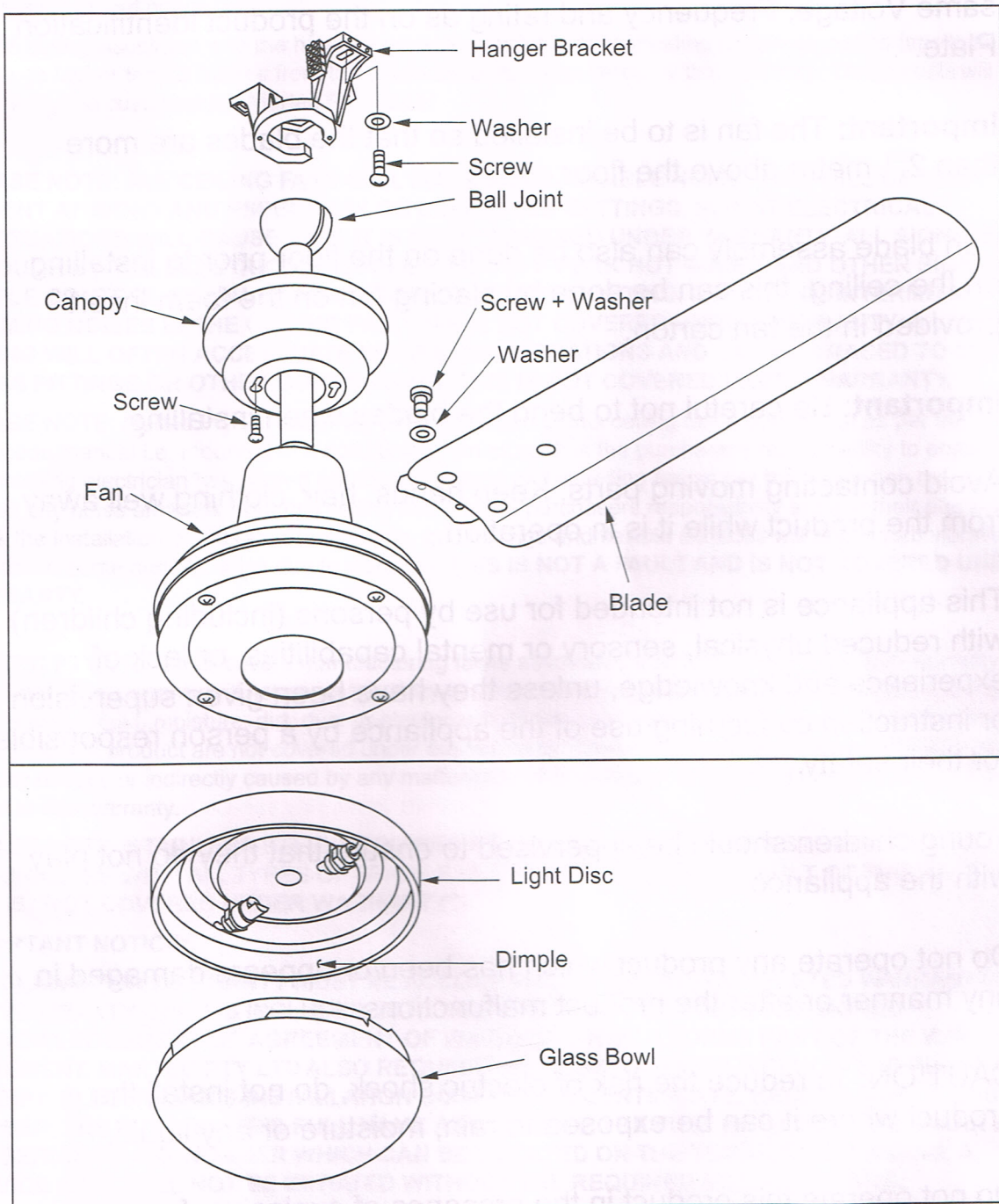
Do not operate any product which has been/or appears damaged in any manner or after the product malfunctions.

**CAUTION:** To reduce the risk of electric shock, do not install the product where it can be exposed to rain, moisture or any liquid.

Do not operate this product in the presence of explosive, fumes and/or flammable liquid.

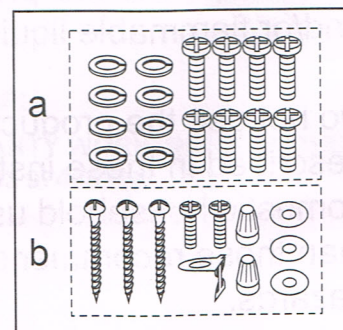
Do not use the product for anything other than its intended use as described in these instructions. **This product is intended for normal domestic household use only.** The use of accessory attachments other than those recommended by the manufacturer may cause safety hazards.

# PARTS LIST



## SCREW BAG:

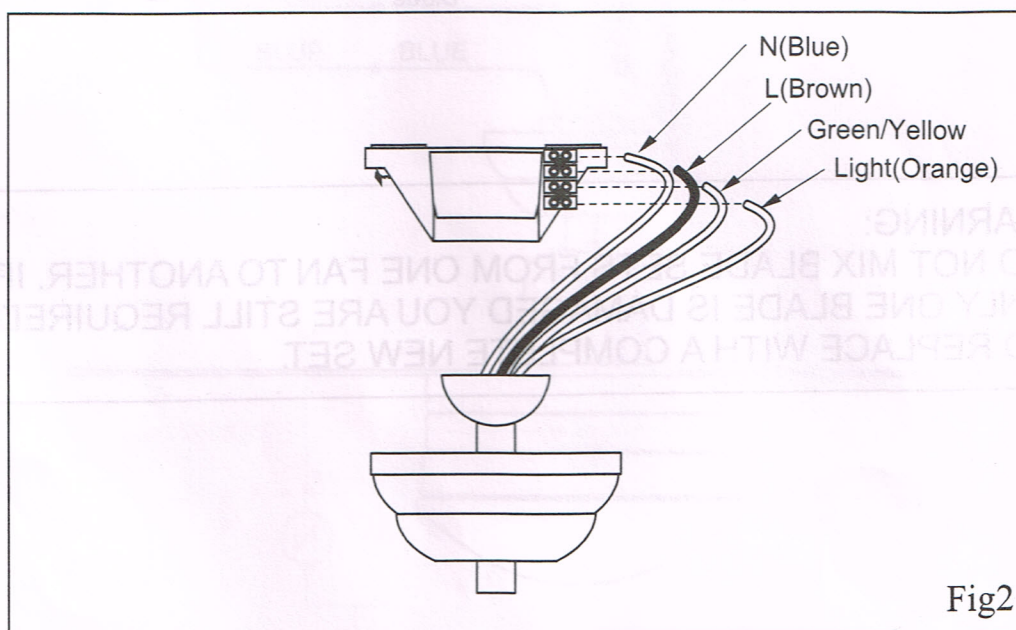
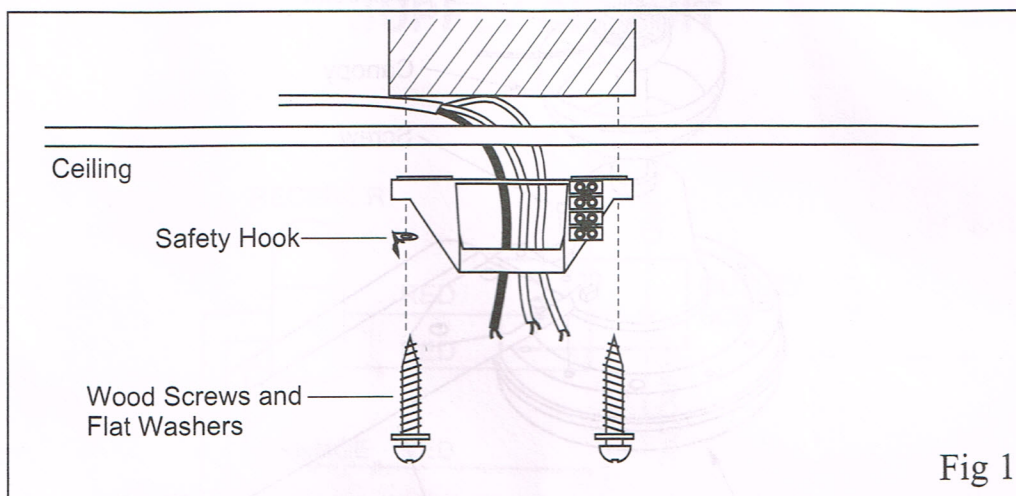
- a. Blade' Screws (Screw + Washer) x8 pcs
- b. • Wood Screw + Washer x3 pcs
- Safety Hook x1 pc
- Screw x2 pcs for Canopy





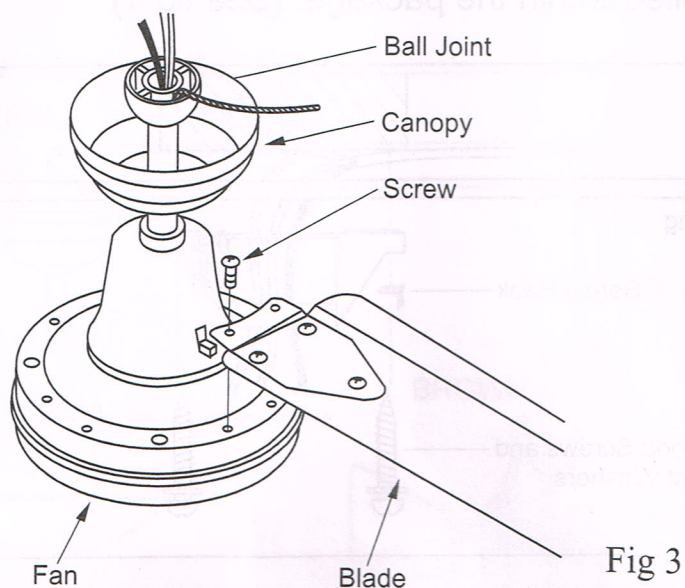
## HOW TO ASSEMBLE

1. Secure the hanger bracket to ceiling beam or a suitable piece of timber inserted between the ceiling beams. Martec Pty Ltd recommends the bracket be attached with two (2) long wood screws as supplied within the package. (See fig 1)



## INSTALLING BLADES

2. Attach the blade to the top of the motor with two (2) blade screws and washers provided. Tighten them securely. Repeat this procedure for all blades . (See fig 3)



**WARNING:**  
DO NOT MIX BLADE SETS FROM ONE FAN TO ANOTHER. IF ONLY ONE BLADE IS DAMAGED YOU ARE STILL REQUIRED TO REPLACE WITH A COMPLETE NEW SET.



3. Remove the ball joint fitting and the retaining pin and clip from the down rod and attach to the fan body (feed all the cables through the down rod). Place the retaining pin through the fan body assembly, insert the clip and tighten the two securing screws.
4. Place the ceiling canopy over the down rod and reattach the ball joint fitting to the down rod.
5. Place fan into hanger bracket and align ball joint slot with hanger bracket. Connect all cables to the terminal block attached to the hanging bracket.
6. After wiring is completed, attach the canopy to the hanger bracket by pushing upwards and twisting anti-clockwise. Locate screws in keyholes and tighten. (See fig 4-1 ~ fig4-6)

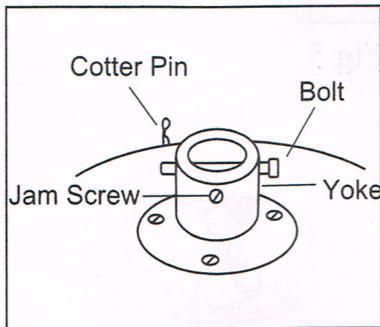


Fig 4-1

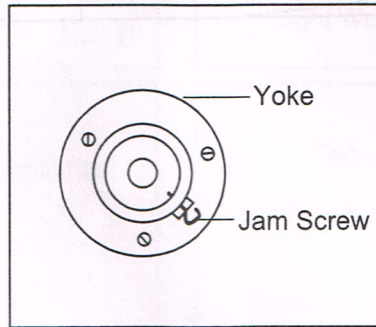


Fig 4-2

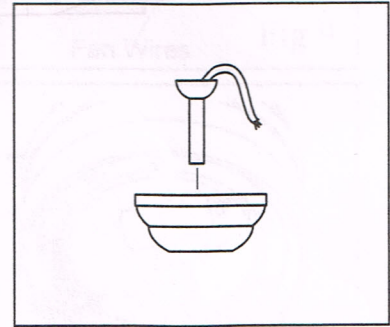


Fig 4-3

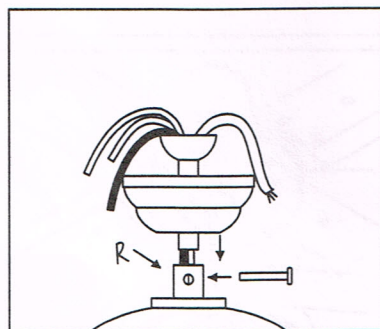


Fig 4-4

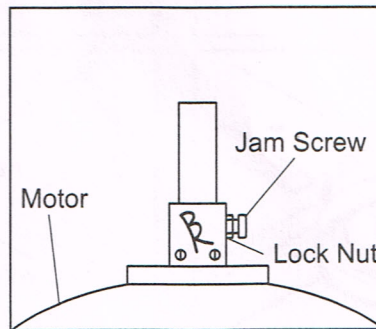


Fig 4-5

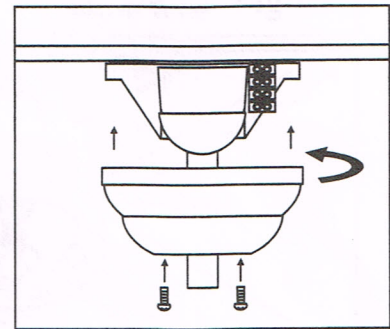


Fig 4-6

## USE IN ALL SEASONS

Always ensure the fan is set to 'OFF' and the blades have stopped rotating prior to changing the direction of the blades.

The Reverse Switch on the fan should be set on 'SUMMER' (Forward) during warmer seasons to move the blades in an anti-clockwise direction, and 'WINTER' (Reverse) during cooler seasons to move the blades in a clockwise direction. ( See fig 5).

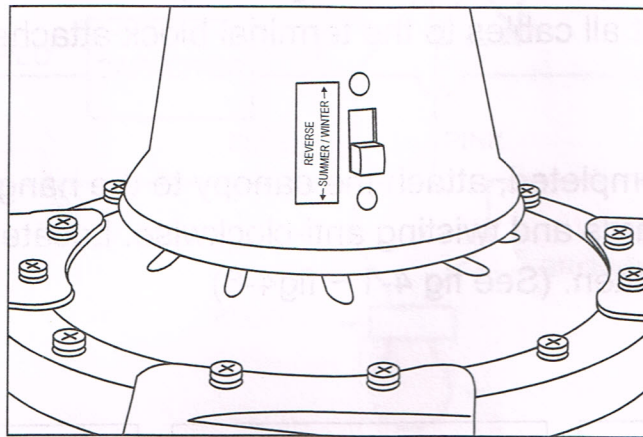


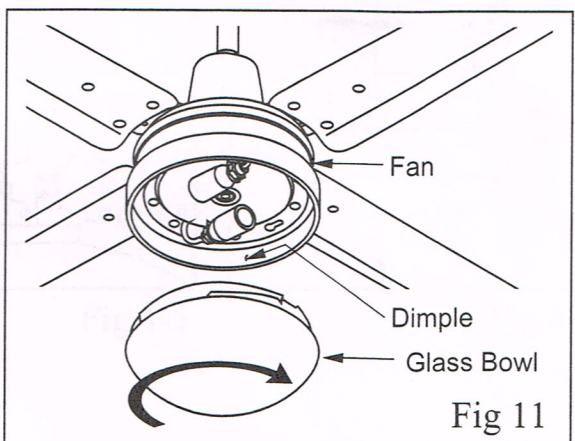
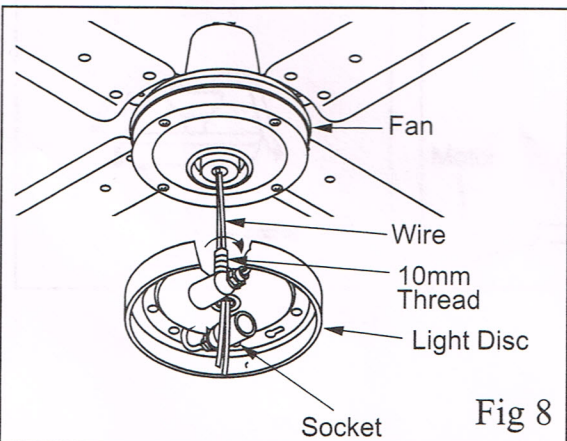
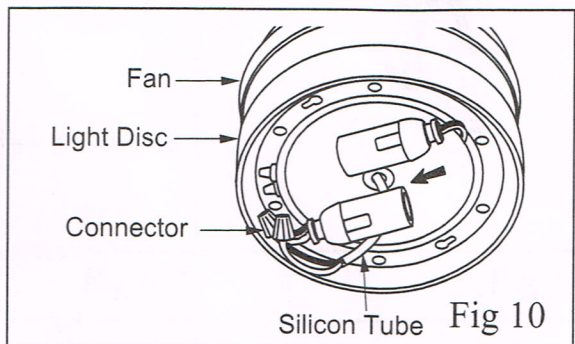
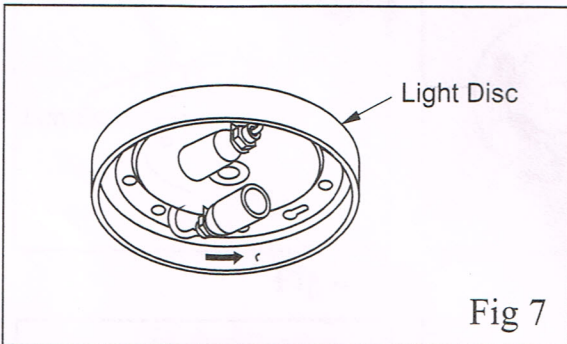
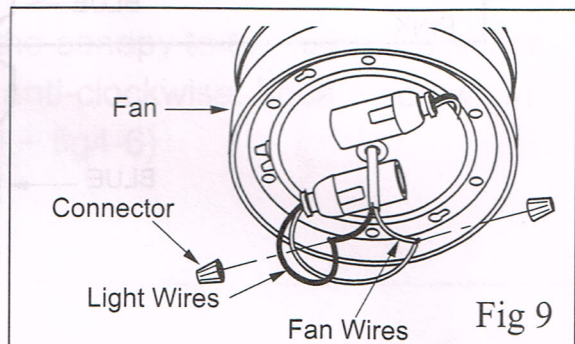
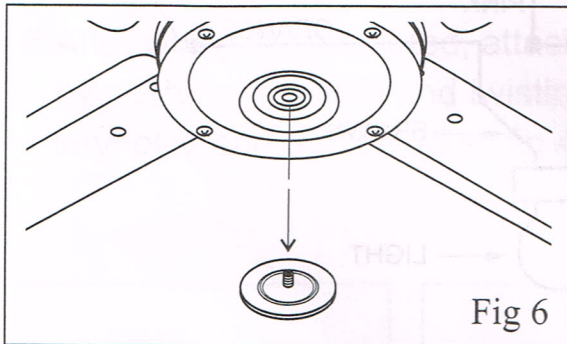
Fig 5



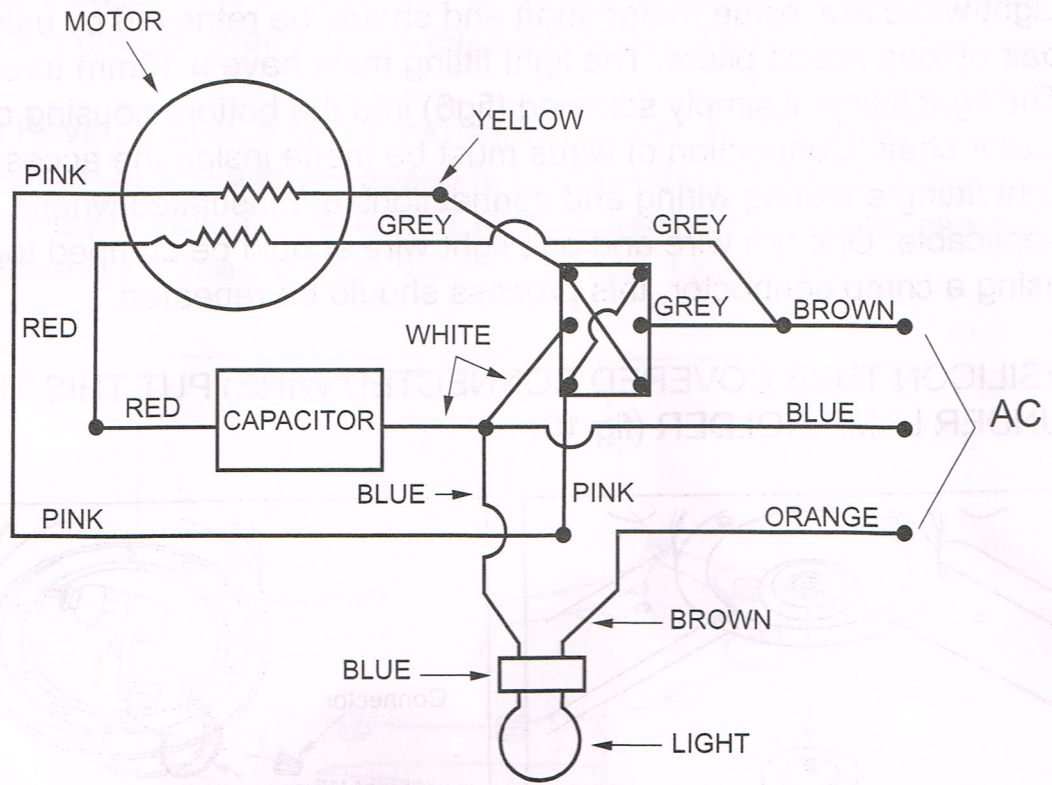
## INSTALLATION OF LIGHT KIT (OPTION)

Light wires are inside motor shaft and should be retrieved by using a pair of long nosed pliers. The light fitting must have a 10mm thread. The light fitting is simply screwed (fig6) into the bottom housing of the motor shaft. Connection of wires must be made inside the accessory light fitting ensuring wiring and connections are insulated where applicable. One fan wire and one light wire should be crimped together using a crimp connector, this process should be repeated.

(SILICON TUBE COVERED CONNECTED WIRE) PUT THIS TUBE UNDER LAMP HOLDER (fig 10)



# WIRING DETAILS



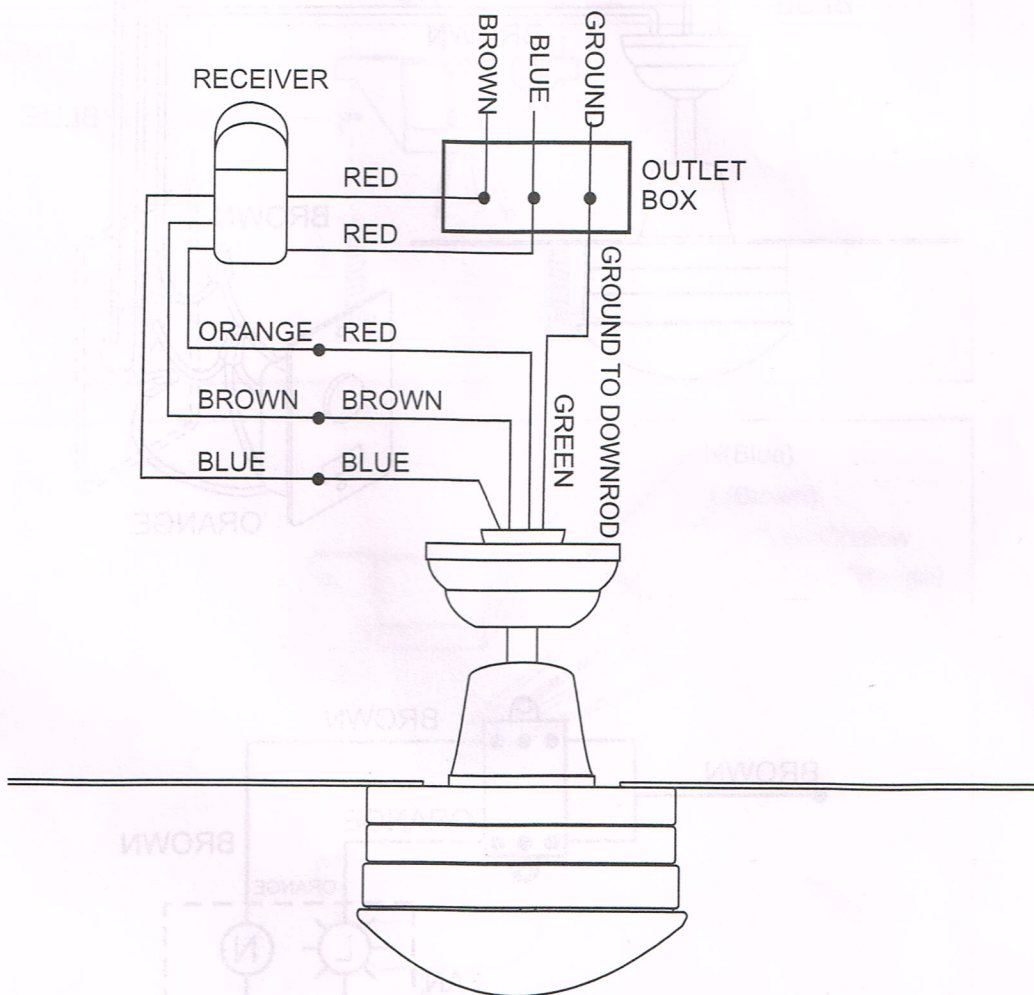


## REMOTE CONTROL

(OPTION)

This fan is equipped with a canopy type remote control unit for controlling the fan speeds and light kit, please refer to the instruction sheet packed with the control unit for more information about the wiring and installation.

### SUPPLY CIRCUIT



**NOTE:** Once ground wires are connected, carefully tuck wires and marrette into the metal outlet box making sure that the wires are clear of the hemisphere and downrod when positioned in mounting bracket.

# WALL CONTROL

(OPTION)

PLEASE refer to the instruction sheet packed with the control unit for more information about the wiring and installation.

