

**33W 1320MM (52") SMART DC CEILING FAN
3 ABS BLADES WITH WIFI REMOTE CONTROL**



Warranty



DC Motor



Wi-Fi



Indoor & Covered
Outdoor Use



Summer/
Winter
Reverse
Function



Ingress
Protection



Scan for
product
information

Model Numbers

MDDC133M Matt Black

Features

- Brushless quiet and efficient 33W DC motor
- WiFi connectivity and operate via Smart Life application
- IP55 rated ideal for indoor and covered outdoor applications
- Unique comfort sleep and breeze mode + 6 other speed settings
- All ABS body, canopy and blades
- Fully reversible for summer and winter mode from remote control
- Supplied with 2 downrods

33W 1320MM (52") SMART DC CEILING FAN 3 ABS BLADES WITH WIFI REMOTE CONTROL

SPECIFICATIONS

Model Name	Daytona DC
Model Numbers	MDDC133M Matt Black
Power Wattage / Motor	33W DC
Voltage / Frequency	220-240Va.c. 50-60Hz
Air Movement (m³/hr)	
Maximum RPM	Up to 170 RPM
Airflow Efficiency	Up to 342m ³ /hr per watt
Speed 6 (Highest)	11,300m ³ /hr
Speed 5	8,940m ³ /hr
Speed 4	8,340m ³ /hr
Speed 3	6,060m ³ /hr
Speed 2	5,340m ³ /hr
Speed 1 (Lowest)	3,780m ³ /hr
Materials / Blade	ABS blade
Number of Blades	3
Blade Pitch	18°
Hangsure Canopy	N/A (flat surface level installation only)
Lighting Wattage / Type	N/A
Colour Temperature	N/A
Lumens Output	N/A
Rated Lifetime	N/A
Dimmable	N/A

REMOTE CONTROL

Control	
Light	N/A
CCT	N/A
Fan	Off only
Fan Speed Setting	6
Other Features	Summer/winter reverse mode Breeze mode Sleep mode
Timer	Off only - 1hr, 4hr or 8hr
Power	1 x A23 12V batteries (supplied)
Size	145 x 42mm
Radio Frequency	433Mhz

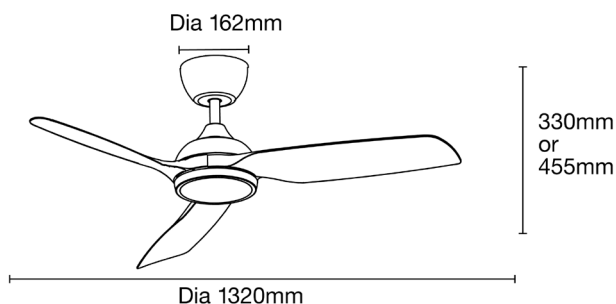
SHIPPING

Model Numbers	Carton Size			Carton Quantity	Carton Gross Weight (Kg)
	H (mm)	W (mm)	L (mm)		
MDDC133W	260	310	720	1	8.2

INSTALLATION

Installation	By licensed electrician only
Warranty	6* year warranty (*3 year in-home + additional 3 year replacement on the motor only)

DIMENSIONS



* Product must be installed by licensed electrician if not warranty will be void. Visit website for further information regarding warranty terms and conditions. Specification and imagery subject to change without prior notice. Last updated Sept 2023.



Aust/NZ Approval No.
GMA-517332-EA