

# T40 LED GLOBES

Globes - LED



### Product Features:

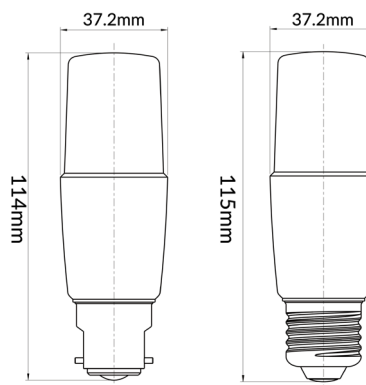
- Input voltage range: 220-240V AC 50/60Hz
- Constant current LED driver inbuilt
- Housing: aluminium-plastic
- Heat sink: aluminium
- LED chips: 10pcs SMD2835 LED
- Power factor: >0.5
- CRI: ≥80
- Ambient temp: -25 to 40°C
- Not suitable for dimming
- Suitable for 2-way switching
- Suitable for use with Microwave and PIR sensors

  
**15,000hr**  
Lifetime

  
**220°**  
Beam Angle

**IP20**  
Rated

**2YEAR**  
Replacement Warranty



Part No.	Description	Base	Kelvin	Lumens	Watt	Dimension (mm)	Weight (kg)	Box (cm)	Carton QTY
LT4010	GLOBE LED BC T40 9W 3000K FR	B22	3000K	800LM	9W	Ø37.2x114	0.05	12x3.6x3.6	1/10/100
LT4011	GLOBE LED BC T40 9W 4000K FR	B22	4000K	800LM	9W	Ø37.2x114	0.05	12x3.6x3.6	1/10/100
LT4012	GLOBE LED BC T40 9W 5000K FR	B22	5000K	800LM	9W	Ø37.2x114	0.05	12x3.6x3.6	1/10/100
LT4013	GLOBE LED BC T40 9W 6000K FR	B22	6000K	800LM	9W	Ø37.2x114	0.05	12x3.6x3.6	1/10/100
LT4014	GLOBE LED ES T40 9W 3000K FR	E27	3000K	800LM	9W	Ø37.2x115	0.05	12x3.6x3.6	1/10/100
LT4015	GLOBE LED ES T40 9W 4000K FR	E27	4000K	800LM	9W	Ø37.2x115	0.05	12x3.6x3.6	1/10/100
LT4016	GLOBE LED ES T40 9W 5000K FR	E27	5000K	800LM	9W	Ø37.2x115	0.05	12x3.6x3.6	1/10/100
LT4017	GLOBE LED ES T40 9W 6000K FR	E27	6000K	800LM	9W	Ø37.2x115	0.05	12x3.6x3.6	1/10/100